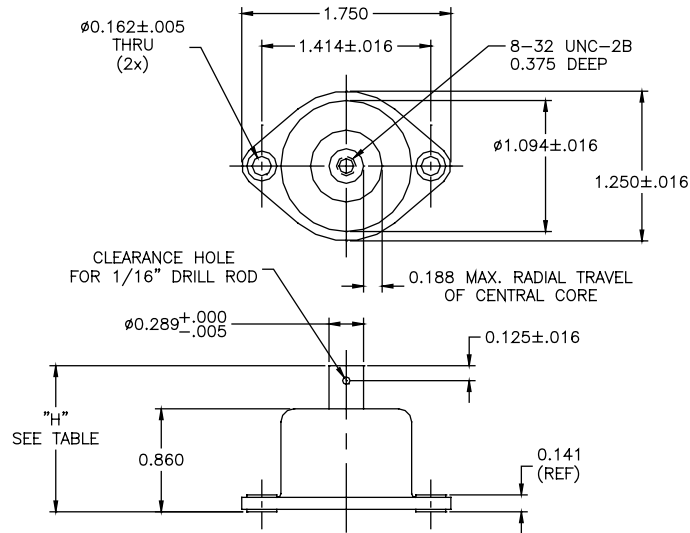


50722 Series (1 to 5 lbs)

Drawing



Load Ratings

Part Number	Max. Load (lbs.)
50722-1	1
50722-2	2
50722-3	3
50722-5	5

	Height (H)
Compressed	0.91
Approx. Free	1.22
Max. Extended	1.56

Stiffness Curves

