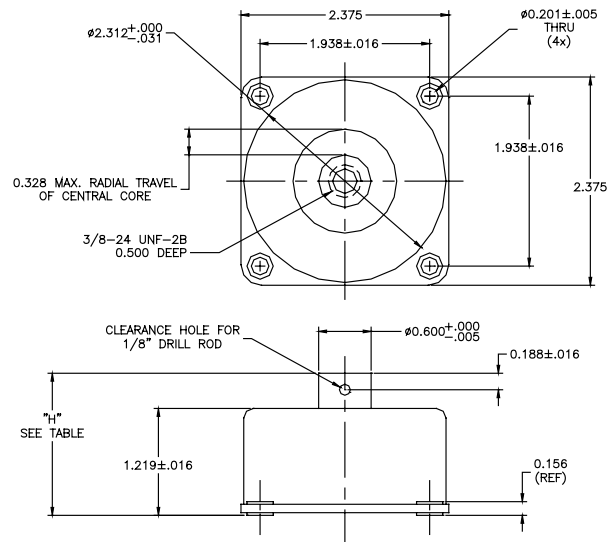


# 50764 Series (35 to 80 lbs)

## Drawing



## Load Ratings

Part Number	Max. Load (lbs.)
50764-1	35
50764-2	50
50764-3	80

	Height (H)
Compressed	1.25
Approx. Free	1.62
Max. Extended	1.94

## Stiffness Curves

