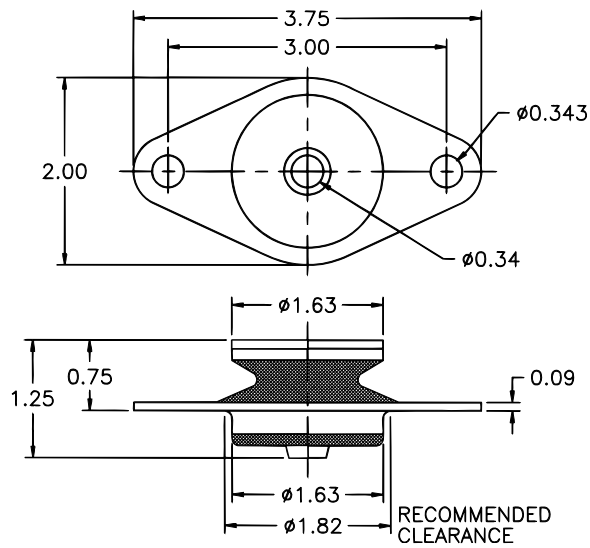


# 51505 Series (38 to 90 lbs)

Drawing



Load Ratings

Part Number	Color Code	Max. Axial Load (lbs.)
51505-1	Yellow	38
51505-2	Red	60
51505-3	Green	90

Stiffness Curves

