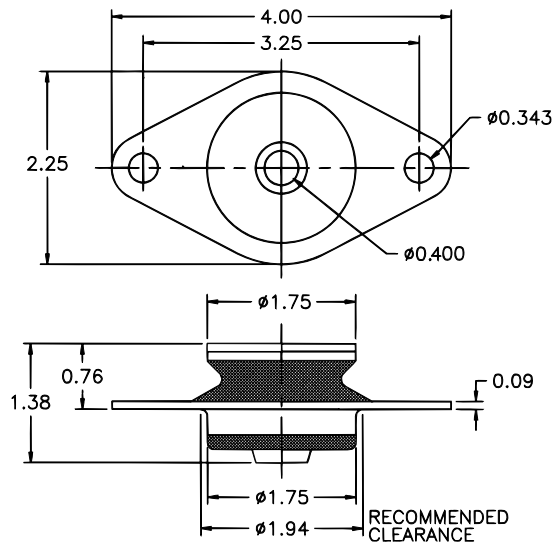


51506 Series (75 to 150 lbs)

Drawing



Load Ratings

Part Number	Color Code	Max. Axial Load (lbs.)
51506-1	Yellow	75
51506-2	Red	105
51506-3	Green	150

Stiffness Curves

