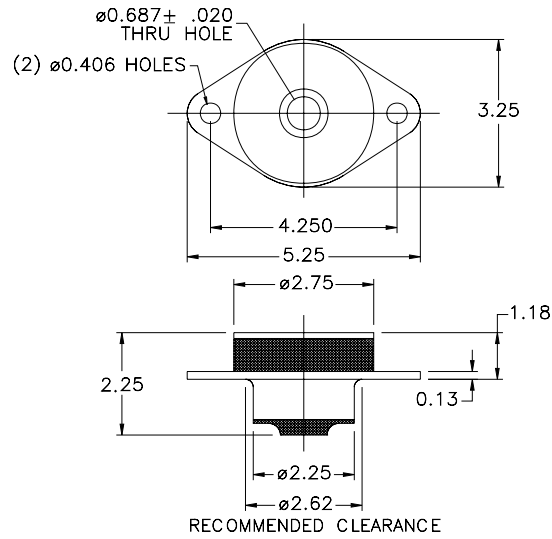


# 51510 Series (480 to 1020 lbs)

## Drawing



## Load Ratings

Part Number	Color Code	Max. Axial Load (lbs.)	Max. Radial (lbs.)
51510-1	Yellow	480	320
51510-2	Red	570	380
51510-3	Green	690	460
51510-4	Blue	840	560
51510-5	White	1020	680

## Stiffness Curves

