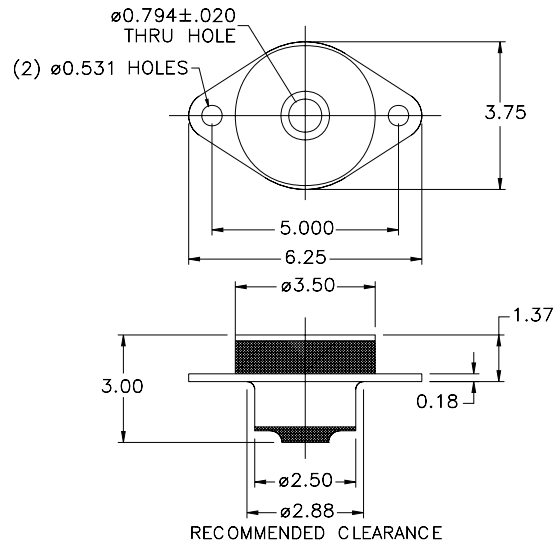


51512 Series (690 to 1500 lbs)

Drawing



Load Ratings

Part Number	Color Code	Max. Axial Load (lbs.)	Max. Radial (lbs.)
51512-1	Yellow	690	460
51512-2	Red	840	560
51512-3	Green	1020	680
51512-4	Blue	1245	830
51512-5	White	1500	1000

Stiffness Curves

