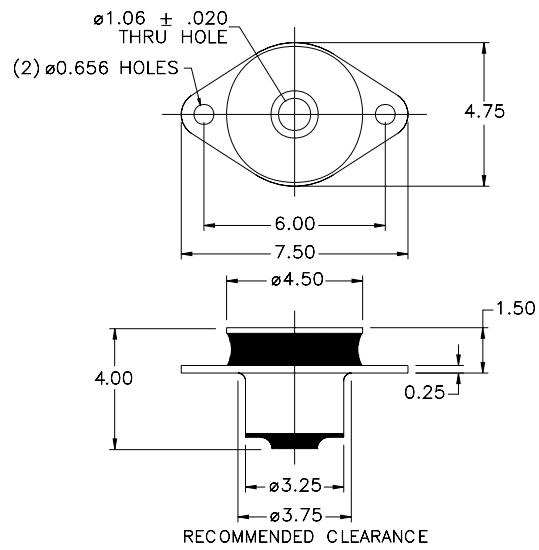


51516 Series (1350 to 2600 lbs)

Drawing



Load Ratings

Part Number	Color Code	Max. Axial Load (lbs.)	Max. Radial (lbs.)
51516-1	Red	1350	800
51516-2	Green	1600	1000
51516-3	Blue	1900	1400
51516-4	White	2600	1800

Stiffness Curves

