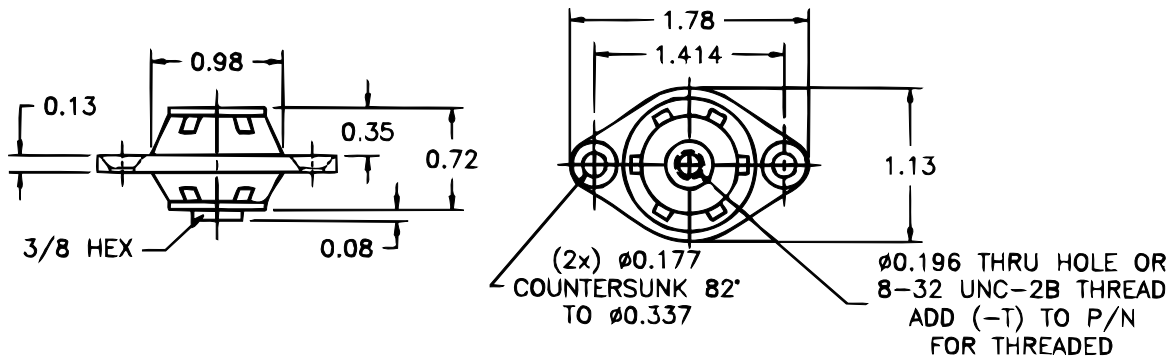
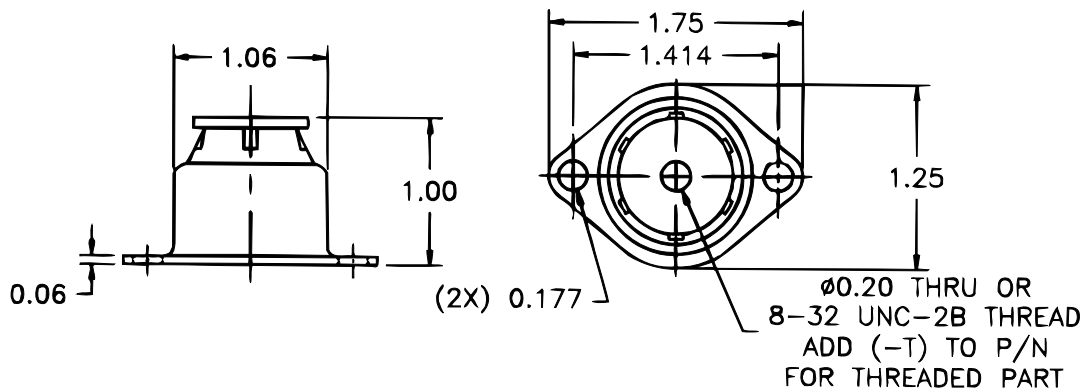


51641/56422 Series (3 to 10 lbs)

56421 Drawing



56422 Drawing (Holder Style)



Load Ratings

Part Number	Color Code	Max. Stationary Load (lbs.)
56421-30	Gray	3.0
56421-40	Red	4.5
56421-50	Yellow	7.0
56421-60	Green	10.0

Holder Style

Part Number	Color Code	Max. Stationary Load (lbs.)
56422-40	Red	4.5
56422-50	Yellow	7.0
56422-60	Green	10.0

Stiffness Curves

