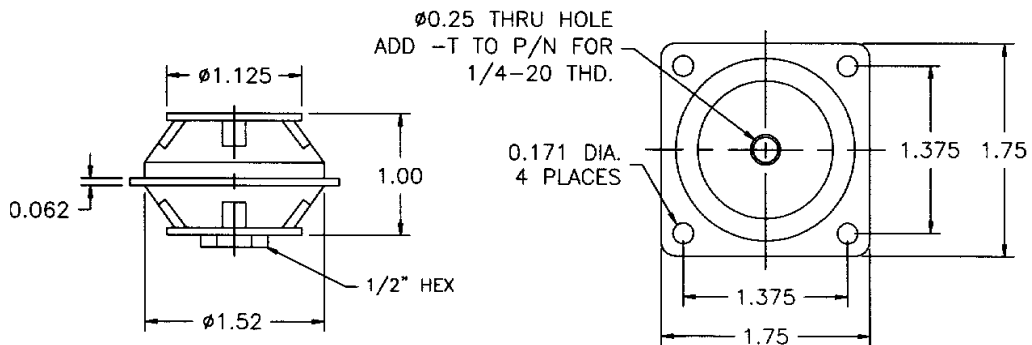
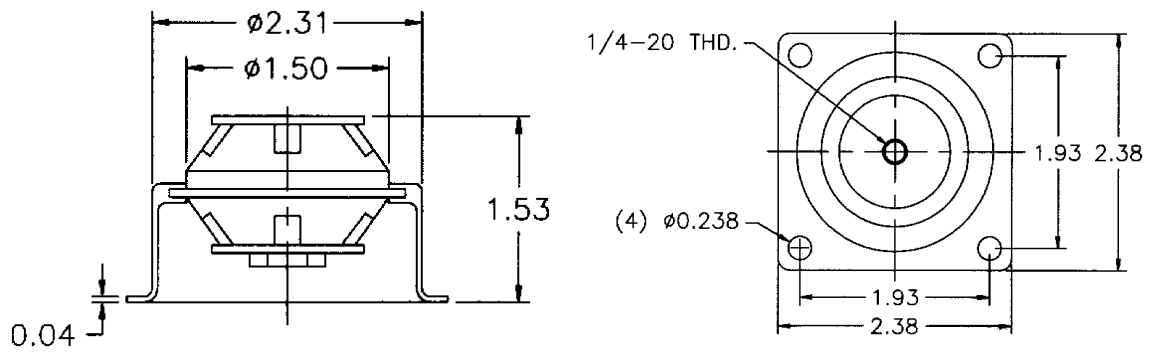


522 Series (15 to 50 lbs)

Drawing (Standard)



Drawing (Holder)



Load Ratings

Part Number	Color Code	Max. Stationary Load (lbs.)
52205	Red	15
52206	Green	25
52207	Yellow	35
52208	Blue	50

Holder Style

Part Number	Color Code	Max. Stationary Load (lbs.)
52205-H	Red	15
52206-H	Green	25
52207-H	Yellow	35
52208-H	Blue	50

Stiffness Curves

