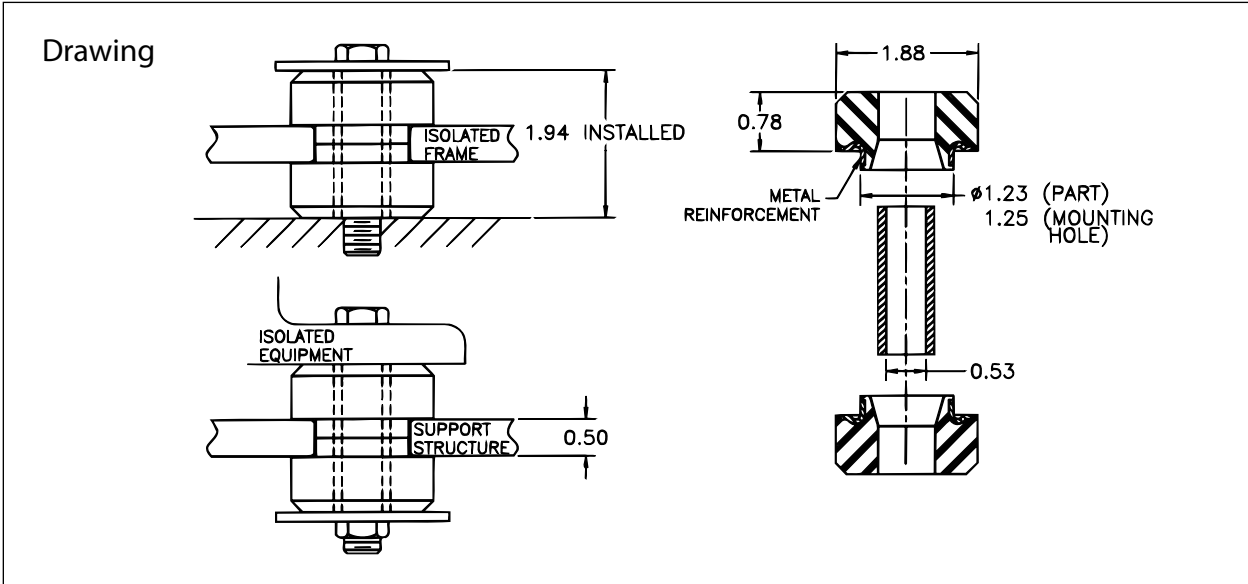


Armor Plated Universal Mounts

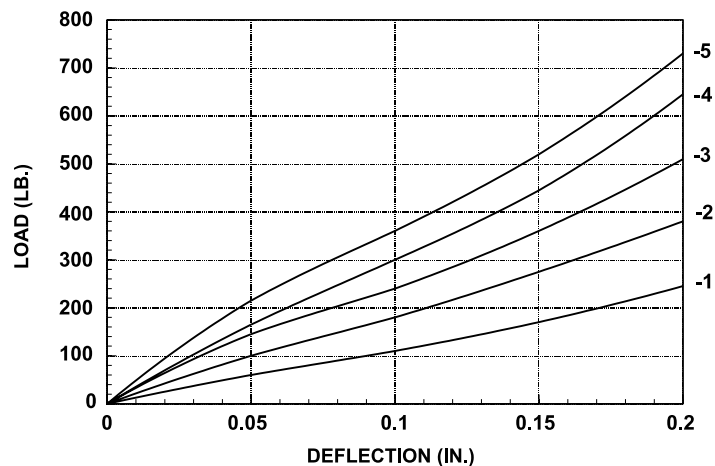


Load Ratings

Part Number	Color	Max. Radial Load (lbs.)	Max. Axial Load (lbs.)
60270-1	Yellow	16	100
60270-2	Red	20	150
60270-3	Green	25	200
60270-4	Blue	32	250
60270-5	White	40	300

Stiffness Curves

60270 SERIES AXIAL LOAD VS DEFLECTION



Stiffness Curves

60270 SERIES RADIAL LOAD VS DEFLECTION

