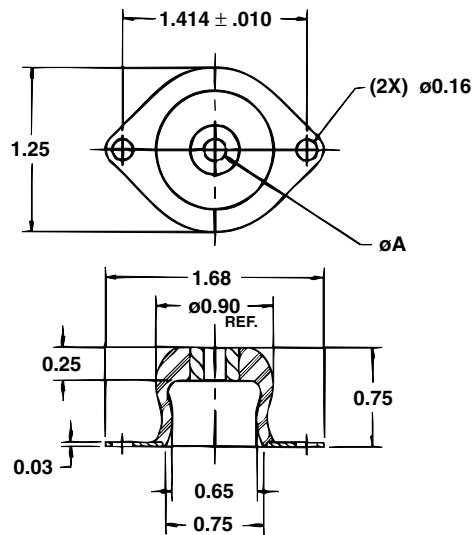


Bubble Mounts

Drawing



Load Ratings

Part Number	Color Code	Max. Load (lbs.)	Center Core Diameter (A)
50640	Yellow	4.0	0.170
50641	Red	6.5	0.170
50642	Green	11.0	0.170
50643	Blue	15.0	0.170
50644	White	18.0	0.170
50680-1	Yellow	4.0	0.256
50680-2	Red	6.5	0.256
50680-3	Green	11.0	0.256
50680-4	Blue	15.0	0.256
50680-5	White	18.0	0.256

Stiffness Curves

