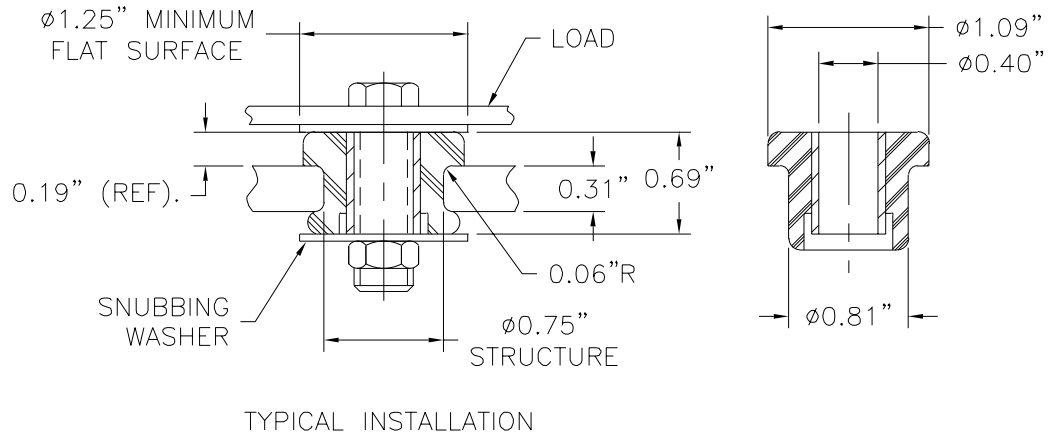


# 60220 Series (30 to 140 lbs)

## Drawing



## Load Ratings

Part Number	Color Code	Max. Load (lbs.)
60220	Red	30
60221	Green	50
60222	Blue	80
60223	White	140

## Stiffness Curves

