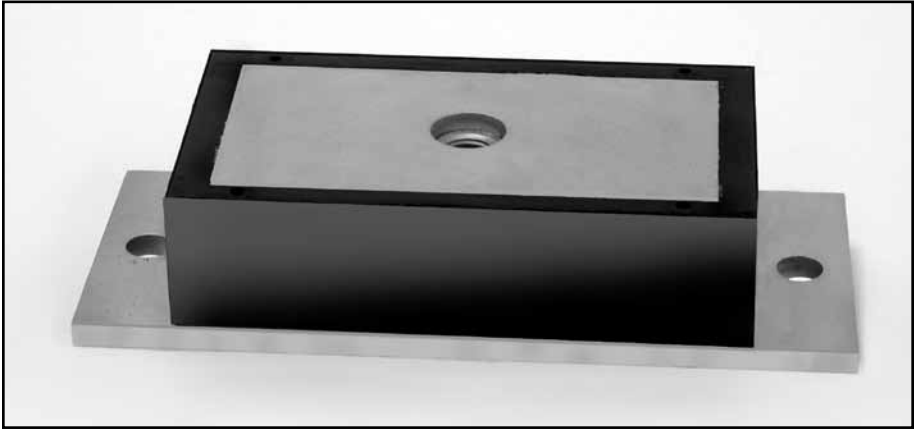
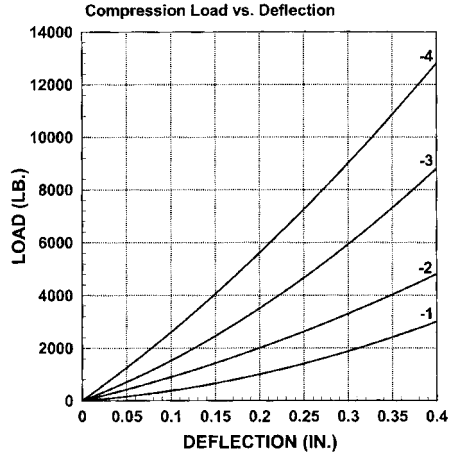
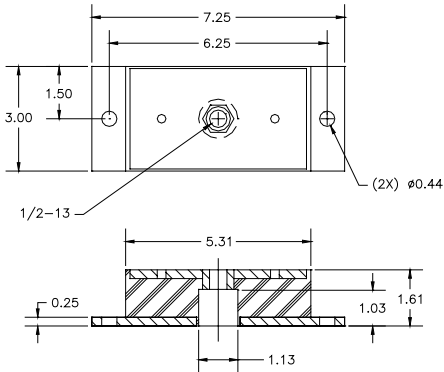


Heavy Duty Compression Mounts



Features:

- High Load Capacity
- Approx. 8 Hz Natural Frequency at rated load
- Low Maintenance
- Constructed of steel and neoprene
- Resistant to most oils, solvents, and ozone
- 5:1 vertical to horizontal stiffness ratio



Part No.	Color Code	Max. Load (lbs.)
52054-1	Green	1500
52054-2	Blue	2000
52054-3	White	3000
52054-4	Purple	4400