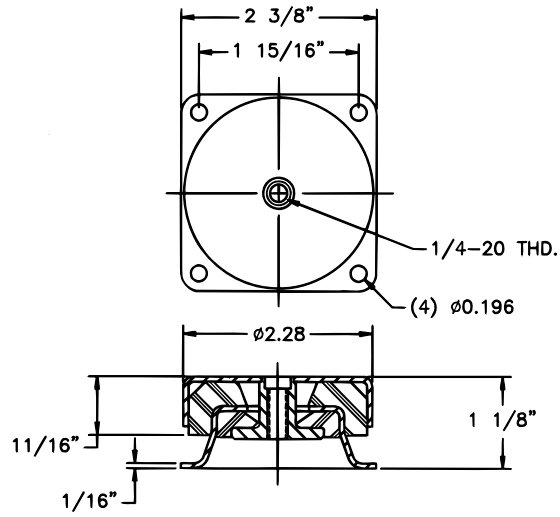


Size 1 Cupmounts (20 to 100 lbs)

Drawing



Load Ratings

Standard Neoprene Part Number	Optional High Damped Silicone Part Number	Max. Stationary Load (lbs.)	Vehicular Load Range (lbs.) – High Shock apps.
52061	52066	20	8-14
52062	52067	40	14-26
52063	52068	70	26-38
52064	52069	100	38-62

Stiffness Curves

