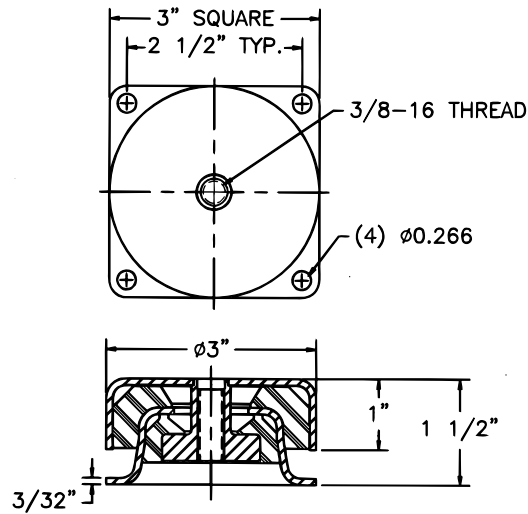


Size 2 Cupmounts (50 to 400 lbs)

Drawing



Load Ratings

Standard Neoprene Part Number	Optional High Damped Silicone Part Number	Max. Stationary Load (lbs.)	Vehicular Load Range (lbs.) – High Shock apps.
52081	52095	50	15-30
52082	52096	100	30-50
52083	52097	150	50-80
52084	52098	250	80-110
52085	52099	400	110-160

Stiffness Curves

