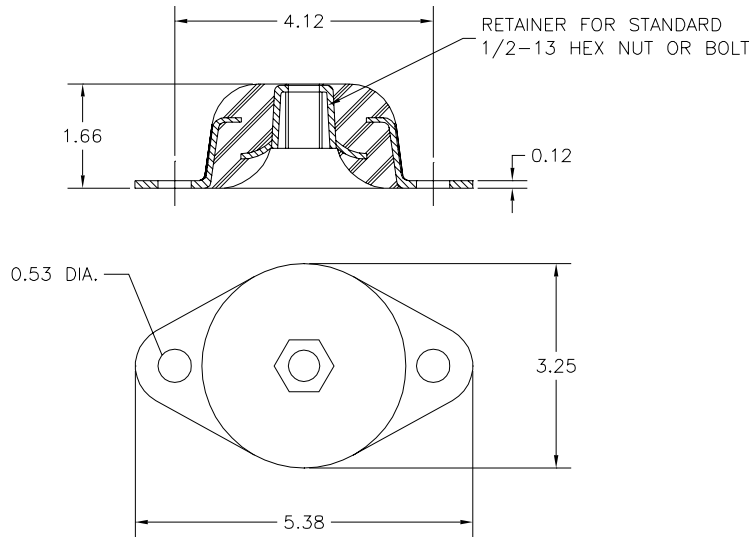


# 52545 Series (375 to 1425 lbs)

## Drawing



## Load Ratings

Part Number	Color Code	Max. Load (lbs.)	Spring Rate (lbs/inch)
52545-1	Red	375	3000
52545-2	Green	800	6400
52545-3	Blue	925	7400
52545-4	White	1425	11500

## Stiffness Curves

**52545 COMPRESSION LOAD VS DEFLECTION**

