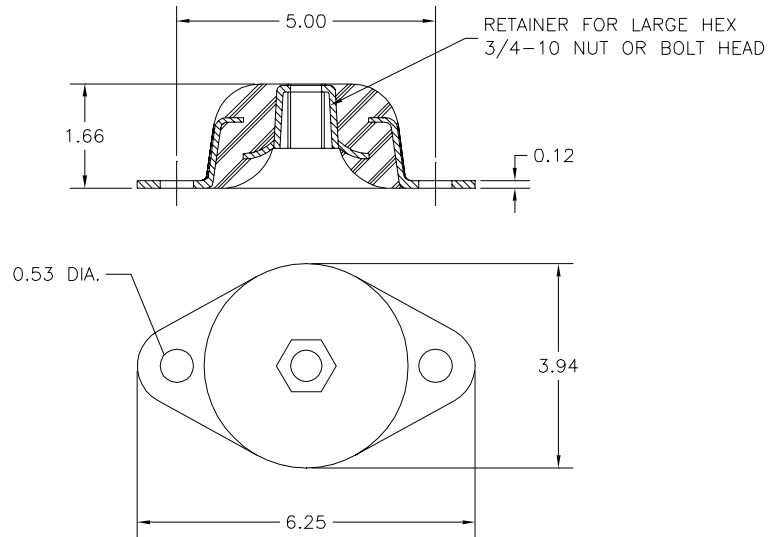


52546 Series (525 to 1950 lbs)

Drawing



Load Ratings

Part Number	Color Code	Max. Load (lbs.)	Spring Rate (lbs/inch)
52546-1	Red	525	4150
52546-2	Green	1000	8300
52546-3	Blue	1250	10000
52546-4	White	1950	15600

Stiffness Curves

52546 COMPRESSION LOAD VS DEFLECTION

