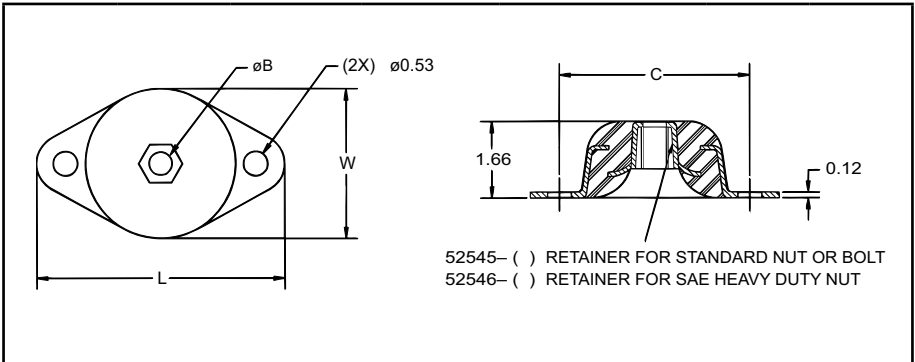


Dome Mounts



The interlocking metals of the Dome Mount series result in a fail-safe mount. This feature and low stiffness make them ideal for isolating medium to large size engines as well as fans, blowers, pumps and air handling equipment. They have an approximate natural frequency of 9Hz at maximum load.

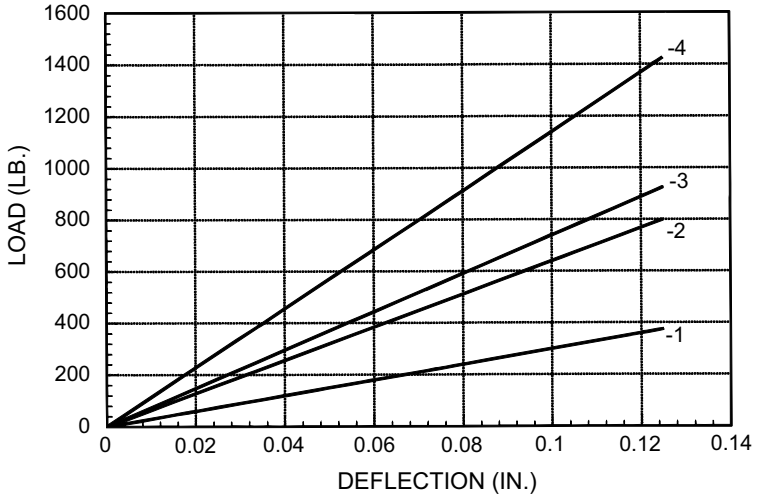
- Internal metal components provide fail-safe design
- Standard neoprene elastomer resistant to oil, fuel, and solvents
- 9 Hz natural frequency at rated loads



Part No.	Color Code	Max. Load (lbs.)	Spring Rate (lbs/in.)	L	W	C	B
52545-1	Red	375	3000	5.38	3.25	4.12	0.53
52545-2	Green	800	6400				
52545-3	Blue	925	7400				
52545-4	White	1425	11500				
52546-1	Red	525	4150	6.25	3.94	5.00	0.78
52546-2	Green	1000	8300				
52546-3	Blue	1250	10000				
52546-4	White	1950	15600				

Dome Mounts

52545 COMPRESSION LOAD VS DEFLECTION



52546 COMPRESSION LOAD VS DEFLECTION

