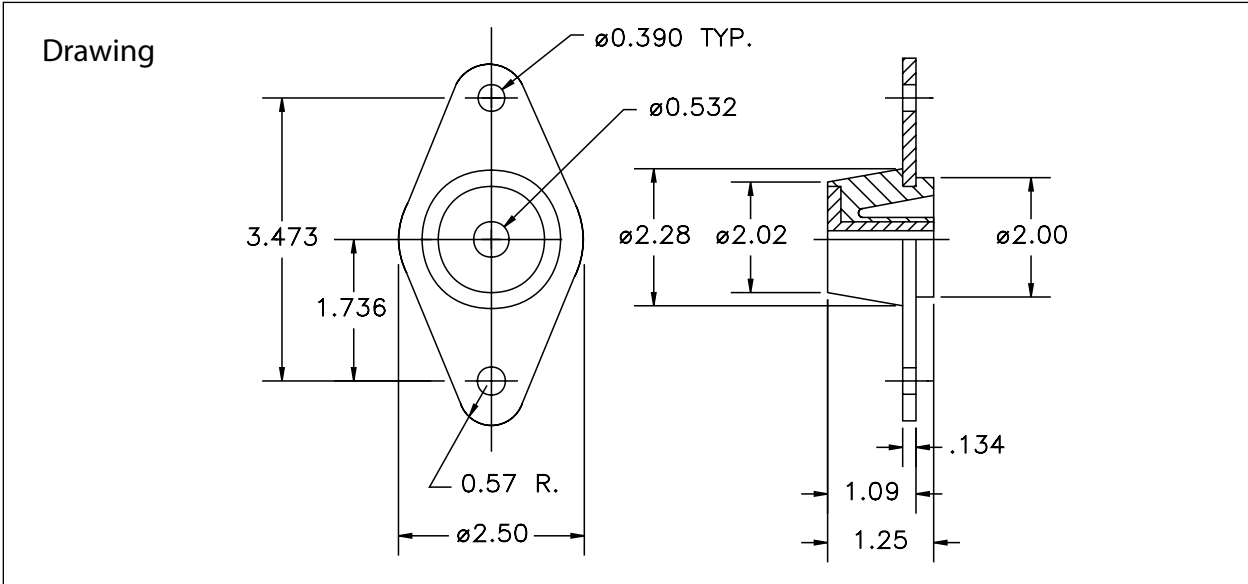


51641 Series (50 to 300 lbs)



Load Ratings

Part Number	Axial Static Load Range (lbs.)	Color Code
51641-2	100	Yellow/Gold
51641-4	155	Red/Gold
51641-6	230	Green/Gold
51641-8	320	Blue/Gold
51641-10	420	White/Gold

Stiffness Curves

