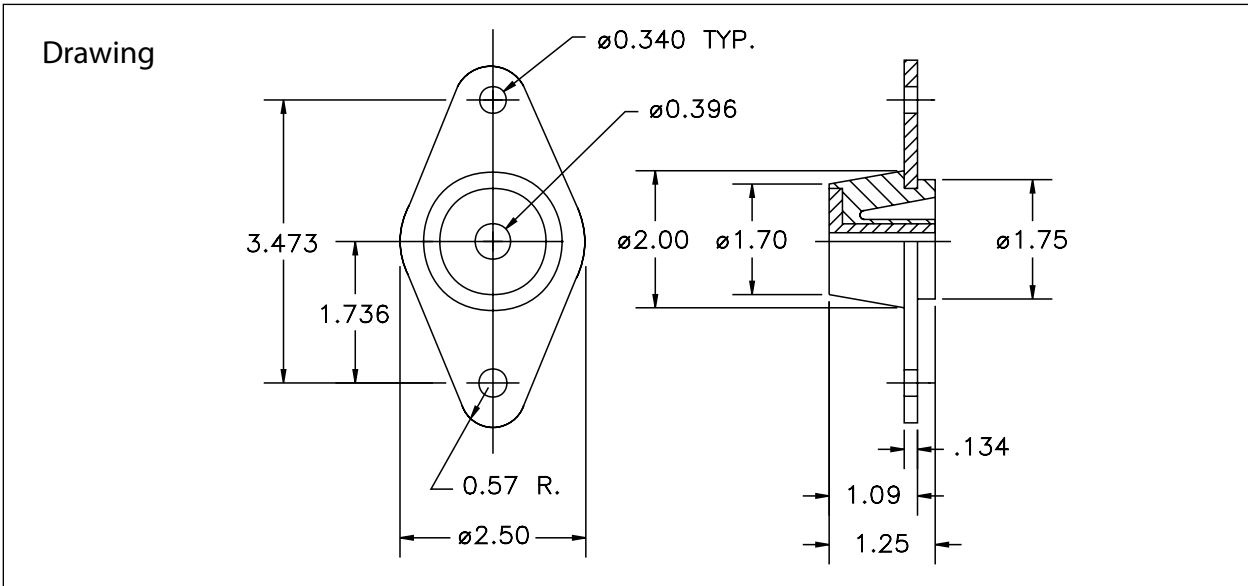


51700 Series (50 to 300 lbs)



Load Ratings

Part Number	Axial Static Load Range (lbs.)	Color Code
51700-1	50	Yellow/Gold
51700-3	90	Red/Gold
51700-5	150	Green/Gold
51700-7	215	Blue/Gold
51700-9	300	White/Gold

