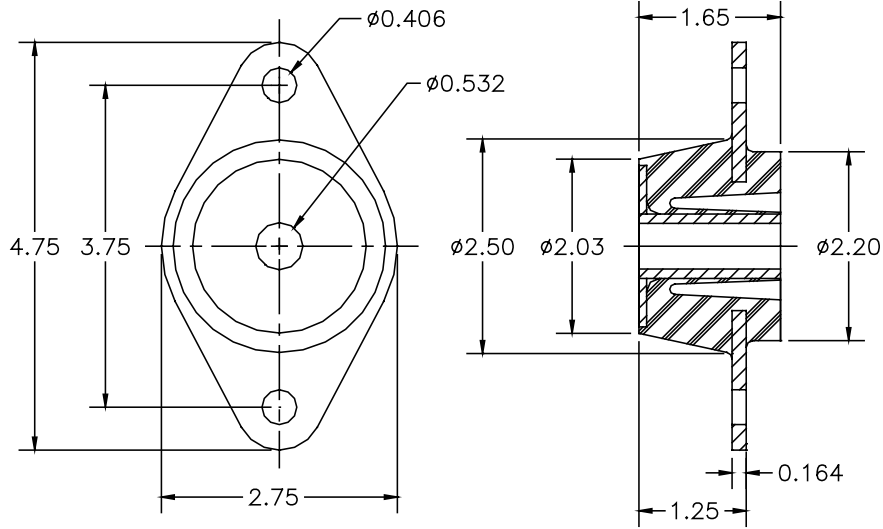


# 51716 Series (120 to 550 lbs)

## Drawing



## Load Ratings

Part No.	Axial Static Load Rating: Nominal (lbs)	Color Code
51716-2	120	Yellow/Gold
51716-4	185	Red/Gold
51716-6	250	Green/Gold
51716-8	400	Blue/Gold
51716-10	550	White/Gold

## Stiffness Curves

