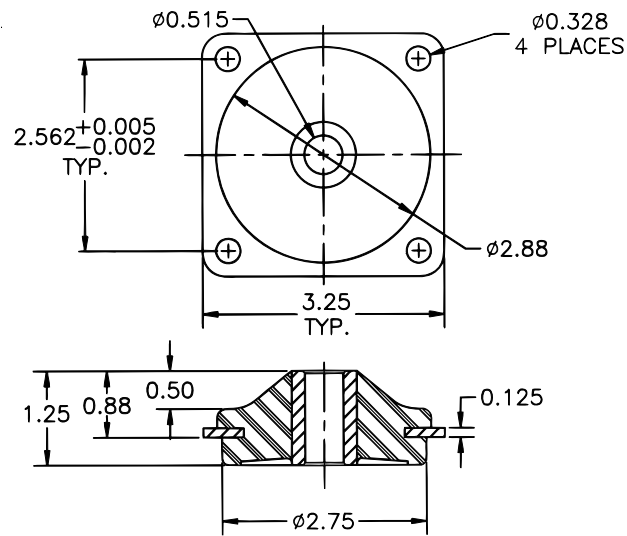


# 61591 Series (85 to 275 lbs)

Drawing



Load Ratings

Part Number	Max. Axial Load (lbs.)	Color Code
61591-1	85	Yellow
61591-2	120	Red
61591-3	155	Green
61591-4	275	Blue

- 0.25" deflection at maximum load