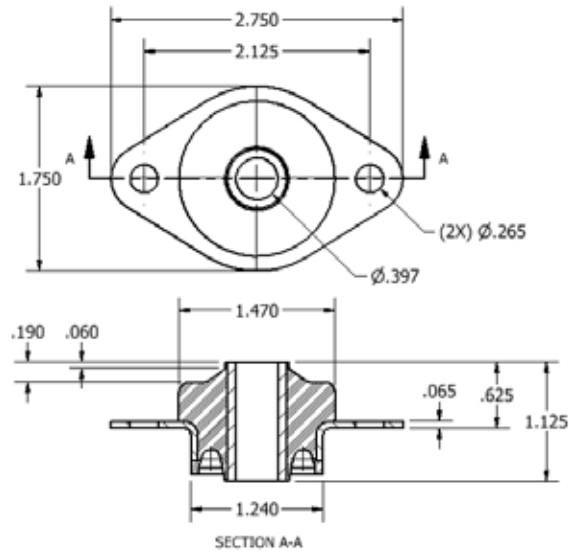


61597 Series (25 to 110 lbs)

Drawing



Load Ratings

Part No.	Axial Load Rating (lbs.)	Color Code
61597-1	25	Yellow
61597-2	40	Red
61597-3	60	Green
61597-4	80	Blue
61597-5	110	White

Stiffness Curves

