

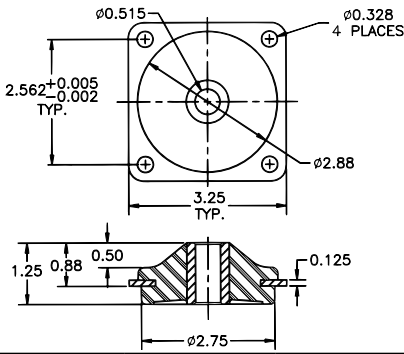
Heavy Duty Platemounts



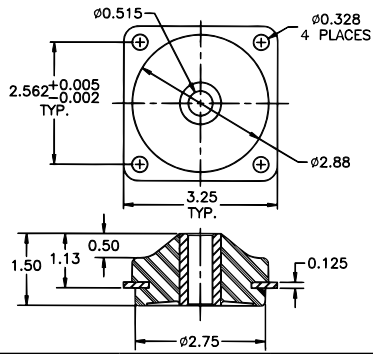
Tech Products' Heavy Duty Plate Mounts provide excellent vibration isolation for applications where a low natural frequency is required. At rated loads, these mounts provide a natural frequency below 7 Hz. Typical applications include gas and diesel engines, generator sets, pumps, compressors, and many other types of mobile equipment.

- Fail-safe when installed with snubbing washers (Page 71)
- Standard neoprene elastomer resistant to oil, fuel, and most solvents
- Two sizes available for loads ranging from 85 to 425 lbs.
- Natural Frequency below 7 Hz at rated loads
- 2.5 Radial to Axial Stiffness ratio

61591 Series



61592 Series



Part No.	Max. Axial Load (lbs.)	Color Code	Part No.	Max. Axial Load (lbs.)	Color Code
61591-1	85	Yellow	61592-1	150	Red
61591-2	120	Red	61592-2	185	Green
61591-3	155	Green	61592-3	320	Blue
61591-4	275	Blue	61592-4	425	White

Deflection at Maximum Load = 0.25"

Radial Stiffness = 2.5 x Axial Stiffness

Heavy Duty Platemounts



Tech Products' 61597 Series isolators provide excellent vibration and shock protection for a variety of applications including small engines, generators, compressors, pumps, and other mobile equipment.

Features:

- Compact Fail-Safe Design (see Page 71 for Snubbing Washers)
- Oil and ozone resistant neoprene
- 8-10 Hz natural frequency

Part No.	Axial Load Rating (lbs.)	Color Code
61597-1	25	Yellow
61597-2	40	Red
61597-3	60	Green
61597-4	80	Blue
61597-5	110	White

