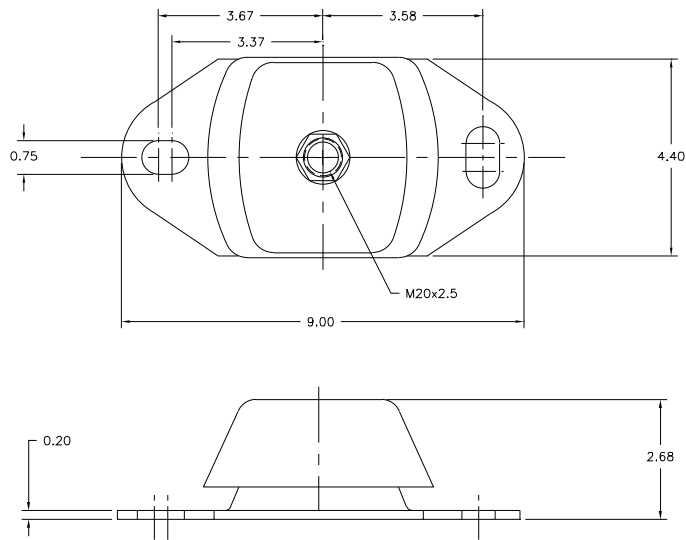


52012 Series (990 to 2200 lbs)

Drawing



Load Ratings

Part Number	Max. Load (lbs)
52012-45	770
52012-55	1145
52012-65	1550
52012-75	2200

Stiffness Curves

