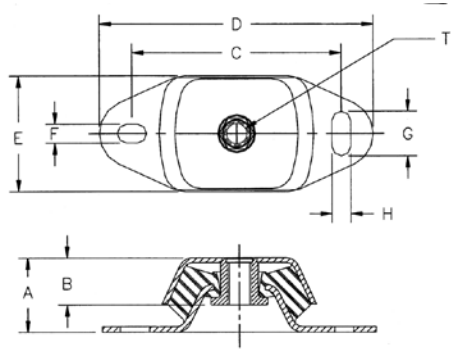


Heavy Duty Stable-Flex Mounts



The Heavy Duty Stable Flex Mounts Series includes three sizes of captive isolators for rugged applications. The mounts are constructed of zinc plated steel and neoprene. Typical applications include diesel generator sets and marine engines.

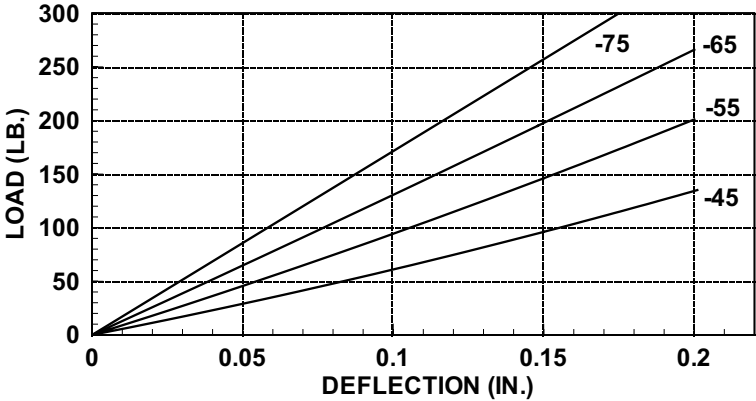
The mounts offer a low vertical natural frequency of 8 Hz at rated load. Axial stiffness curves are included on the following page. Horizontal stiffness in the long direction is 2.5 times the axial stiffness and in the short direction it is 0.75 times the axial stiffness.



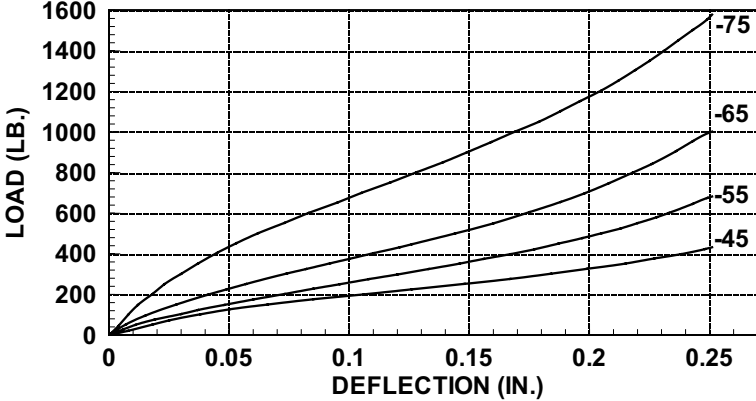
Part No.	A	B	C	D	E	F	G	H	T	Max. Load (lbs)
52010-45	1.52	0.79	3.94	4.72	2.36	0.56	0.55	0.43	M12	110
52010-55										145
52010-65										220
52010-75										265
52011-45	1.97	1.10	5.51	7.20	2.95	0.51	1.18	0.51	M16	330
52011-55										465
52011-65										660
52011-75										990
52012-45	2.86	1.65	7.17	8.98	4.41	0.71	1.34	0.71	M20	770
52012-55										1145
52012-65										1550
52012-75										2200

Heavy Duty Stable-Flex Mounts

52010 SERIES AXIAL STIFFNESS



52011 SERIES AXIAL STIFFNESS



52012 SERIES AXIAL STIFFNESS

