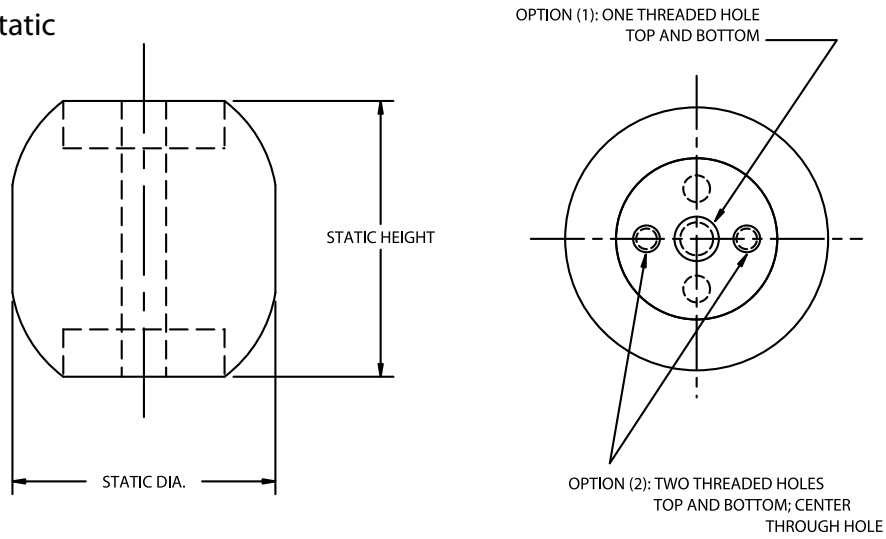
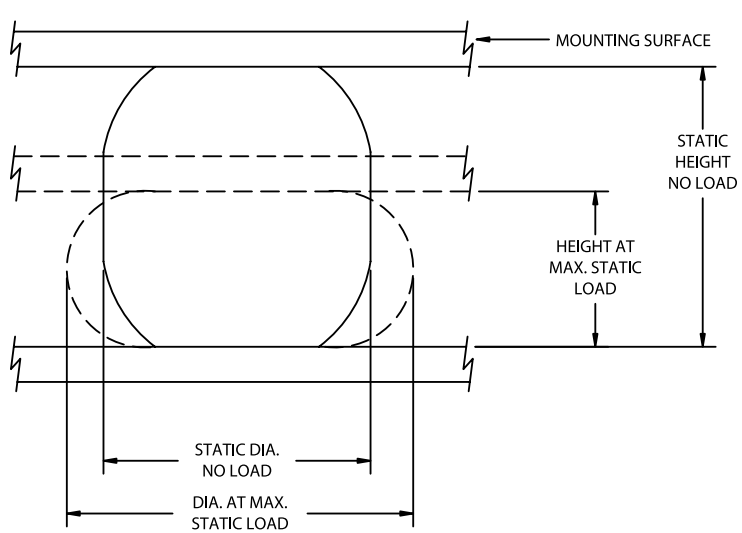


# Isosphere Mounts

Drawing - Static



Drawing - Under Load



Dimensions and Load Ratings

Part Number	Color Code	Max. Static Load (lbs)	Max. Dynamic Load (lbs)	Dynamic Spring Rate (lbs)	Static Diameter	Static Height	Thread Size	Diameter @ Max. Static Load (in.)	Height @ Max. Static Load (in.)
61549-2	Black	500	2000	1500	3.70	3.88	5/8-18	4.50	2.30
61549-3	Green	750	3000	2000	3.70	3.88	5/8-18	4.50	2.30
61549-4	Red	1000	4000	3000	3.70	3.88	5/8-18	4.50	2.30
61549-5	Gray	2000	8000	5500	3.70	3.88	5/8-18	4.50	2.30
61550-4	Gray	10000	40000	16000	8.50	8.69	1 1/2 -12	10.50	5.00