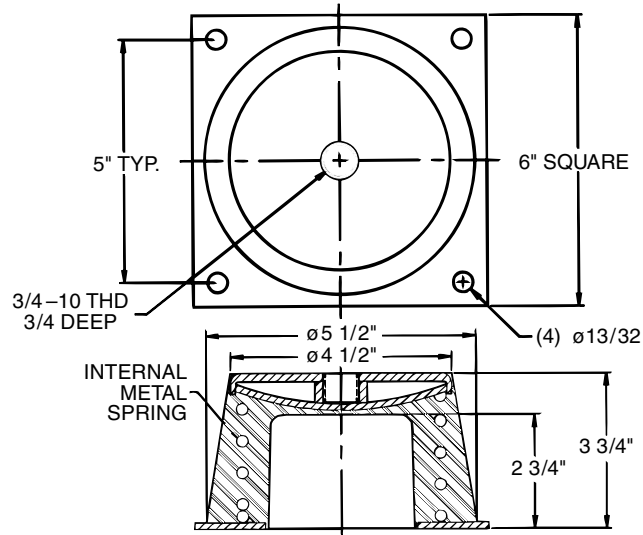


# 61060 Series (150 to 4700 lbs)

Drawing



Load Ratings

Part Number	Color Code	Min. Load (lbs.)	Approx. Deflection (in.)	Max. Load (lbs.)	Approx. Deflection (in.)
61060	Yellow	150	0.1	1800	1.0
61062	Green	500	0.15	3100	0.9
61064	White	1200	0.2	4700	0.8

Stiffness Curves

