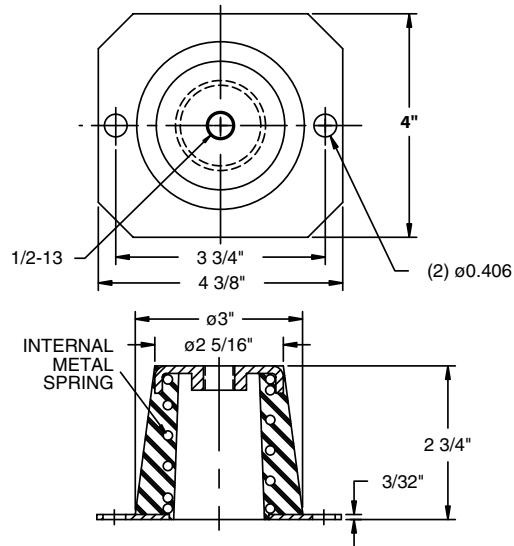


61503 Series (50 to 2600 lbs)

Drawing



Load Ratings

Part Number	Color Code	Min. Load (lbs.)	Approx. Deflection (in.)	Max. Load (lbs.)	Approx. Deflection (in.)
61503	Yellow	50	0.1	400	0.9
61505	Green	100	0.1	1100	0.9
61507	White	250	0.1	2600	0.9

Stiffness Curves

