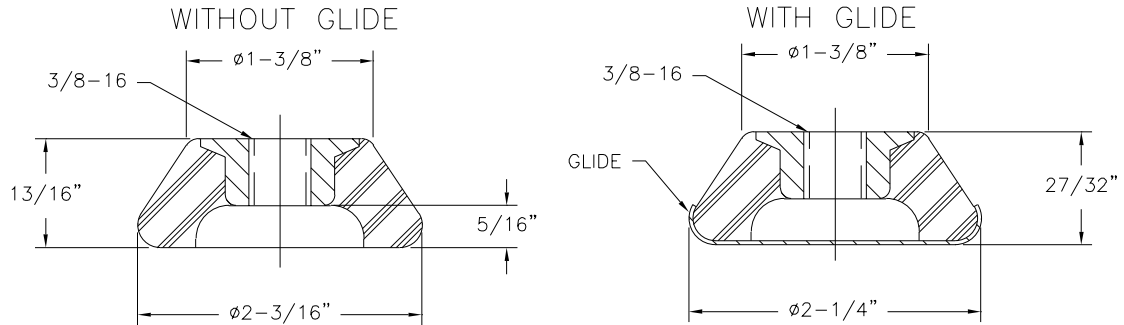


50553/50563 Series (30 to 400 lbs w/ 3/8" thread)

Drawing



Load Ratings

Part Number without Glide	Part Number with Glide	Color Code	Spread Load Range (lbs.)	Point Load Range (lbs.)
50553	50563	Yellow	30-125	6-35
50555	50563	Green	75-250	20-65
50557	50567	Red	150-400	50-130
Approx. Deflection at Load Indicated			0.1-0.3	0.05-0.25

Add -A to part number for 2.5" epoxied stud and hex nut