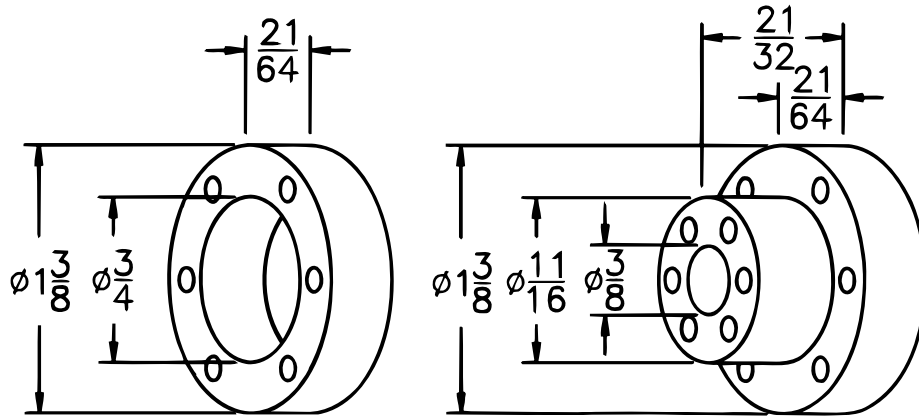


# Size 2 (4 to 65 lbs)

Drawing



Load Ratings

Ring Part Number	Bushing Part Number	Color Code	Min. Load (lbs.)	Max. Load (lbs.)
51835	51850	Silver	4	20
51836	51851	Yellow	8	25
51837	51852	Red	10	35
51838	51853	Green	14	45
51839	51854	Blue	18	55
51840	51855	White	22	65

Stiffness Curves

