

Stable-Flex Mounts

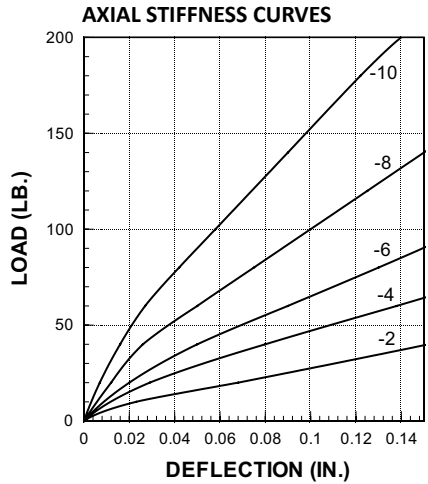
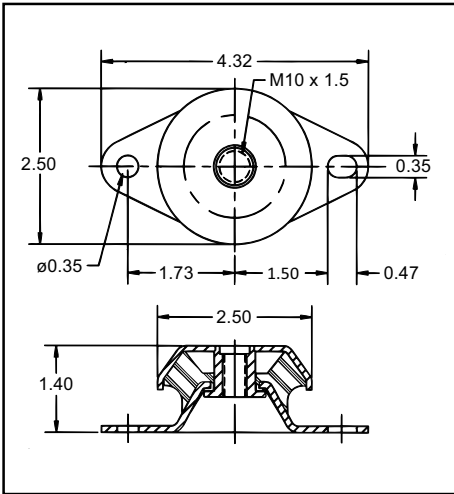


Tech Products' Stable Flex Mounts have been specifically engineered to isolate light weight, low speed equipment. The complex geometry of the elastomer element in the mount provides a low axial stiffness and excellent lateral stability. Common Applications include: Small Engines, Generators, Compressors, Pumps, Other Industrial Equipment, and Various Mobile Applications.

Features:

- Fail-Safe Captive Design
- 8 Hz Natural Frequency at rated loads
- Load range from 30 to 180 lbs.
- Neoprene elastomer resistant to oil, fuel, and solvents
- Zinc Plated Steel cap, base, and core
- Specialty elastomers available including High Damped Silicone

Stable-Flex Mounts



| Part No. | Rated Axial Load (lbs.) | Color Code |
|----------|-------------------------|------------|
| 52045-2 | 30 | Yellow |
| 52045-4 | 55 | Red |
| 52045-6 | 75 | Green |
| 52045-8 | 120 | Blue |
| 52045-10 | 180 | White |

Note: For 3/8-16 Thread add 'A' to part number