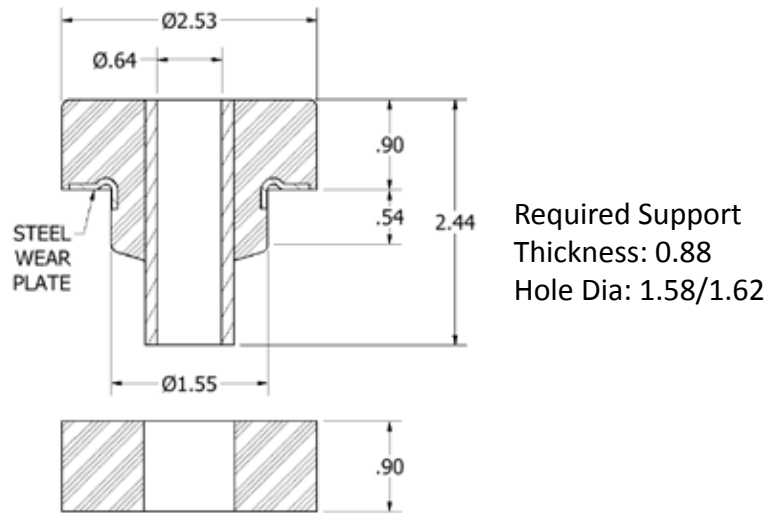


60278 Series (215 to 1330 lbs)

Drawing



Load Ratings

Part No.	Max. Axial Load (lbs.)	Max. Radial Load (lbs.)	Color Code
60278-1	215	80	Yellow
60278-2	360	120	Red
60278-3	490	175	Green
60278-4	860	265	Blue
60278-5	1330	370	White

Stiffness Curves

