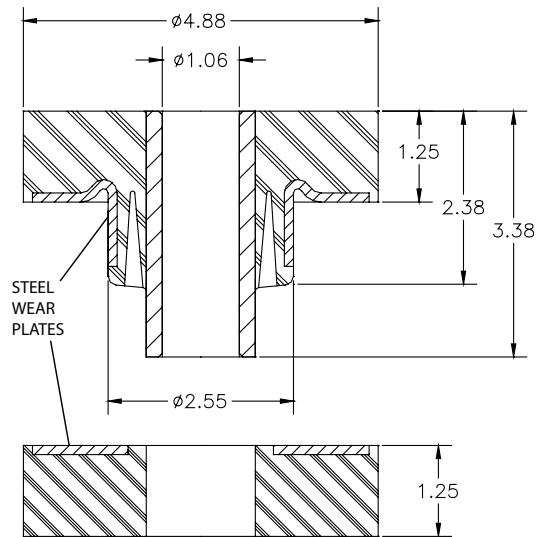


# 60285 Series (1000 to 4200 lbs)

## Drawing



Required Support  
Thickness: 1.25  
Hole Dia: 2.58/2.62

## Load Ratings

Part No.	Max. Axial Load (lbs.)	Max. Radial Load (lbs.)	Color Code
60285-1	1000	180	Yellow
60285-2	1750	275	Red
60285-3	2250	400	Green
60285-4	3200	500	Blue
60285-5	4200	700	White

## Stiffness Curves

