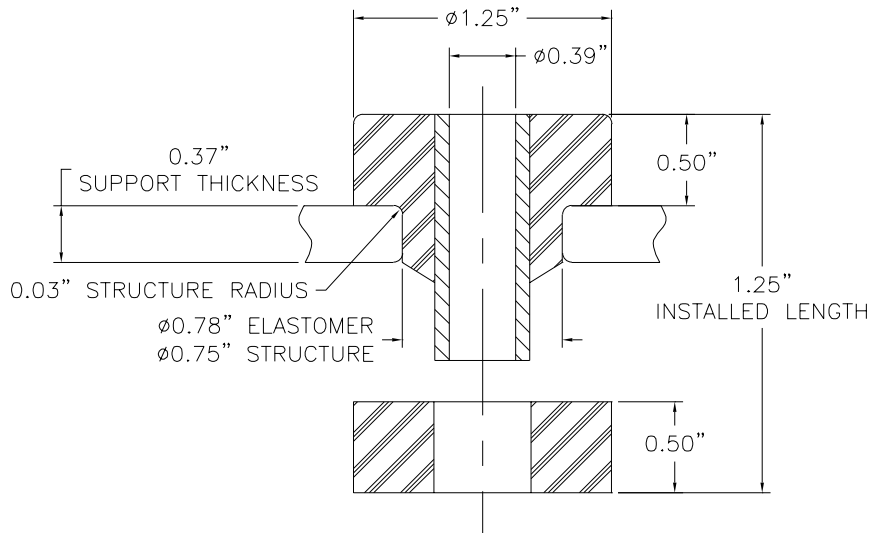


# Size 1 (35 to 280 lbs)

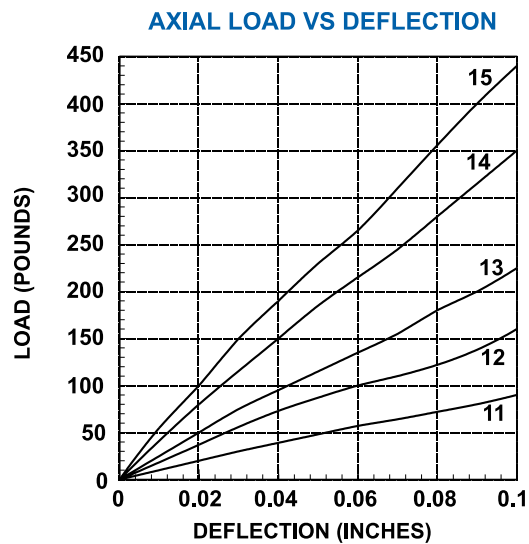
## Drawing



## Load Ratings

Part Number	Color Code	Axial Load Rating (lbs)	Radial Load Rating (lbs)
60011	Yellow	35	18
60012	Red	80	27
60013	Green	130	36
60014	Blue	235	45
60015	White	280	55

## Stiffness Curves



# Stiffness Curves

## RADIAL LOAD VS DEFLECTION

