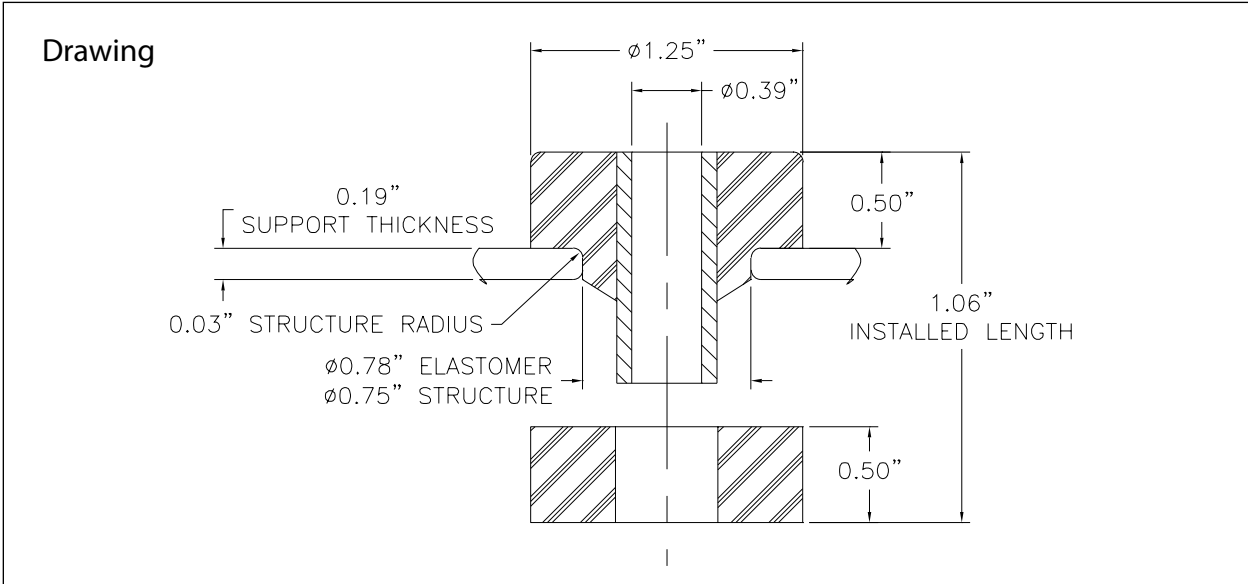


# Size 1 Short Hub (35 to 280 lbs)

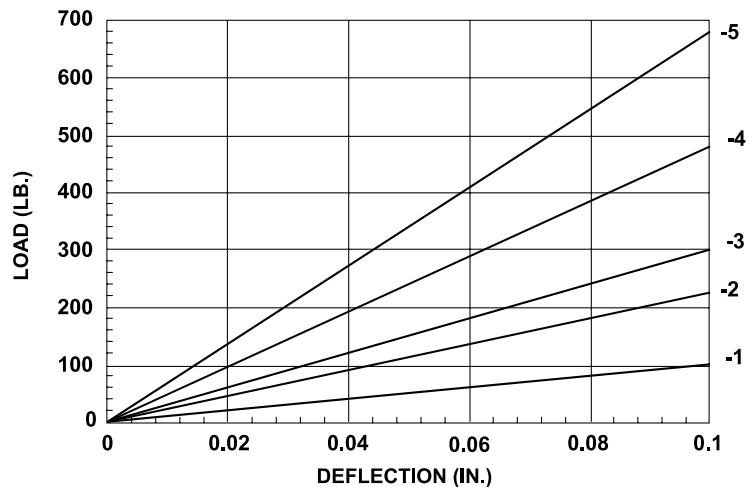


## Load Ratings

Part Number	Color Code	Axial Load Rating (lbs)	Radial Load Rating (lbs)
60166-1	Yellow	35	9
60166-2	Red	80	14
60166-3	Green	130	18
60166-4	Blue	235	23
60166-5	White	280	28

## Stiffness Curves

### AXIAL LOAD VS DEFLECTION



Stiffness Curves

**RADIAL LOAD VS DEFLECTION**

