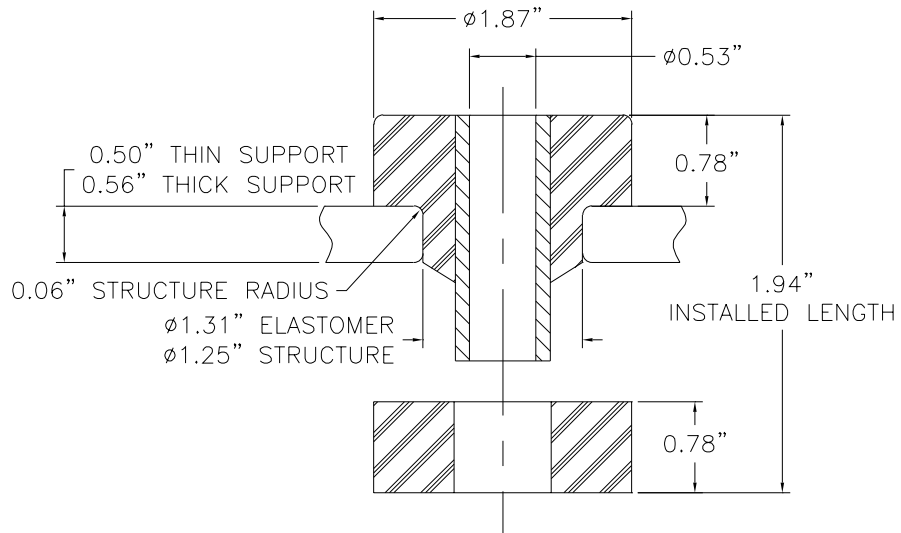


Size 2 (65 to 630 lbs)

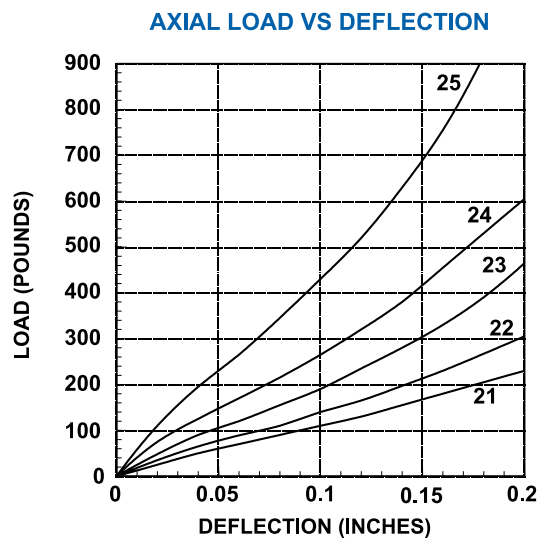
Drawing



Load Ratings

Part Number	Color Code	Axial Load Rating (lbs) – Thin Support	Radial Load Rating (lbs) – Thin Support	Axial Load Rating (lbs) – Thick Support	Radial Load Rating (lbs) – Thick Support
60021	Yellow	65	45	135	55
60022	Red	125	80	180	85
60023	Green	170	125	240	130
60024	Blue	275	190	380	190
60025	White	390	290	630	290

Stiffness Curves



Stiffness Curves

RADIAL LOAD VS DEFLECTION

