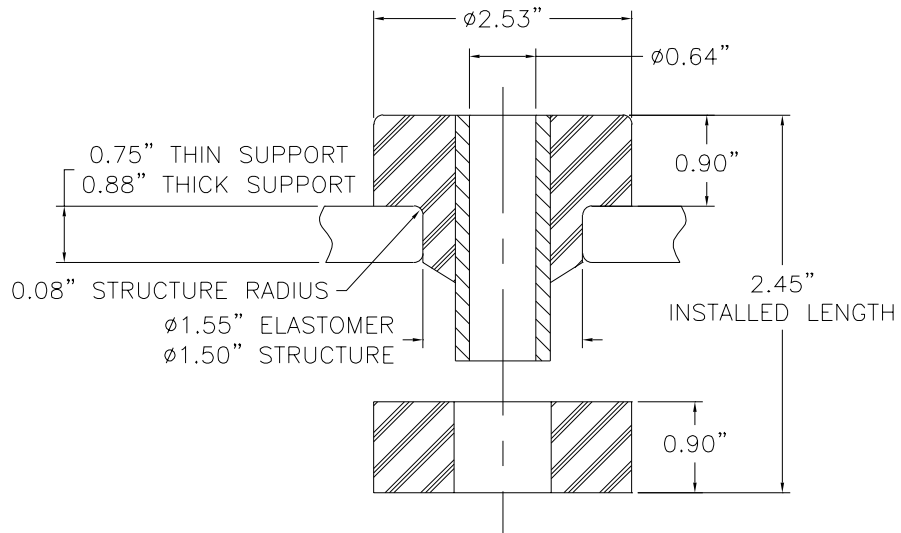


# Size 3 (100 to 1330 lbs)

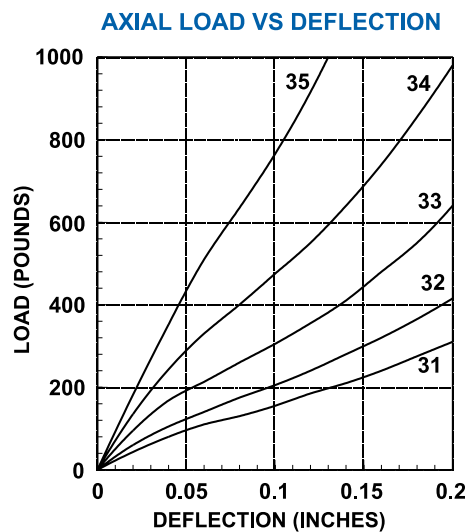
## Drawing



## Load Ratings

Part Number	Color Code	Axial Load Rating (lbs) – Thin Support	Radial Load Rating (lbs) – Thin Support	Axial Load Rating (lbs) – Thick Support	Radial Load Rating (lbs) – Thick Support
60031	Yellow	100	80	215	90
60032	Red	180	120	360	140
60033	Green	250	175	490	225
60034	Blue	350	265	860	385
60035	White	500	370	1330	690

## Stiffness Curves



# Stiffness Curves

## RADIAL LOAD VS DEFLECTION

