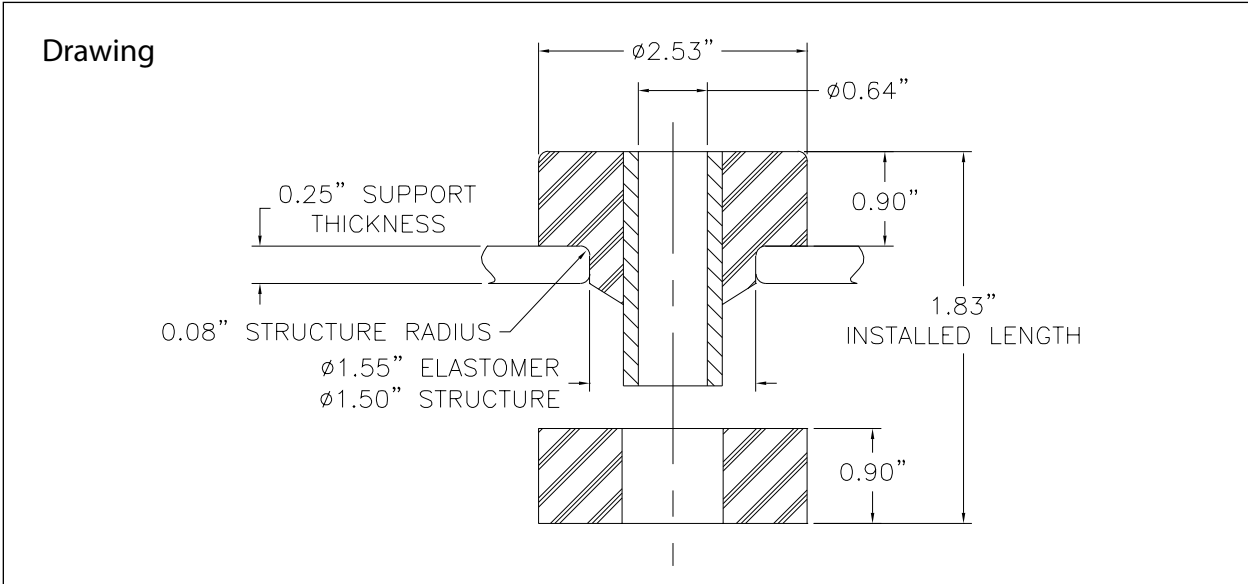


Size 3 Short Hub (100 to 1330 lbs)

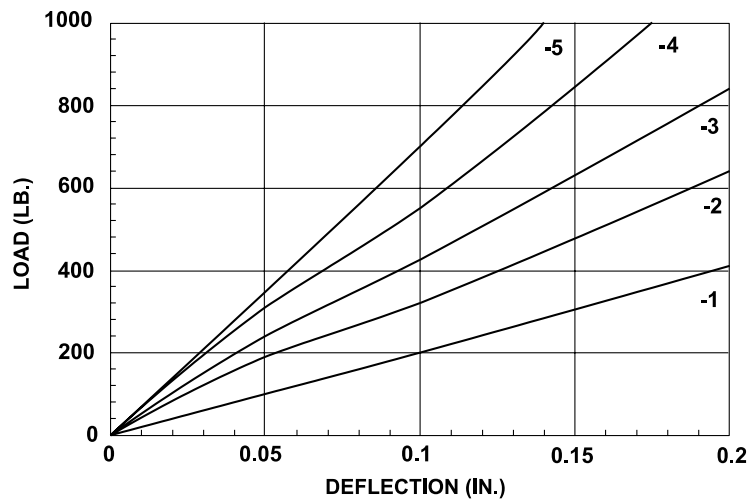


Load Ratings

Part Number	Color Code	Axial Load Rating (lbs)	Radial Load Rating (lbs)
60165-1	Yellow	215	40
60165-2	Red	360	60
60165-3	Green	490	88
60165-4	Blue	860	133
60165-5	White	1330	185

Stiffness Curves

AXIAL LOAD VS DEFLECTION



Stiffness Curves

RADIAL LOAD VS DEFLECTION

