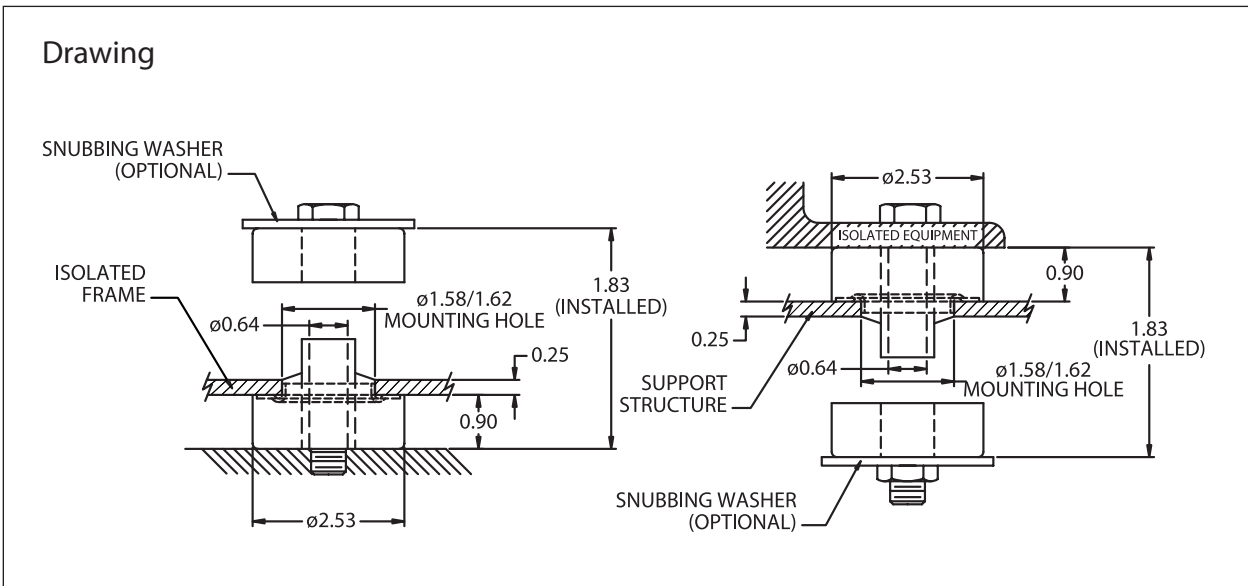
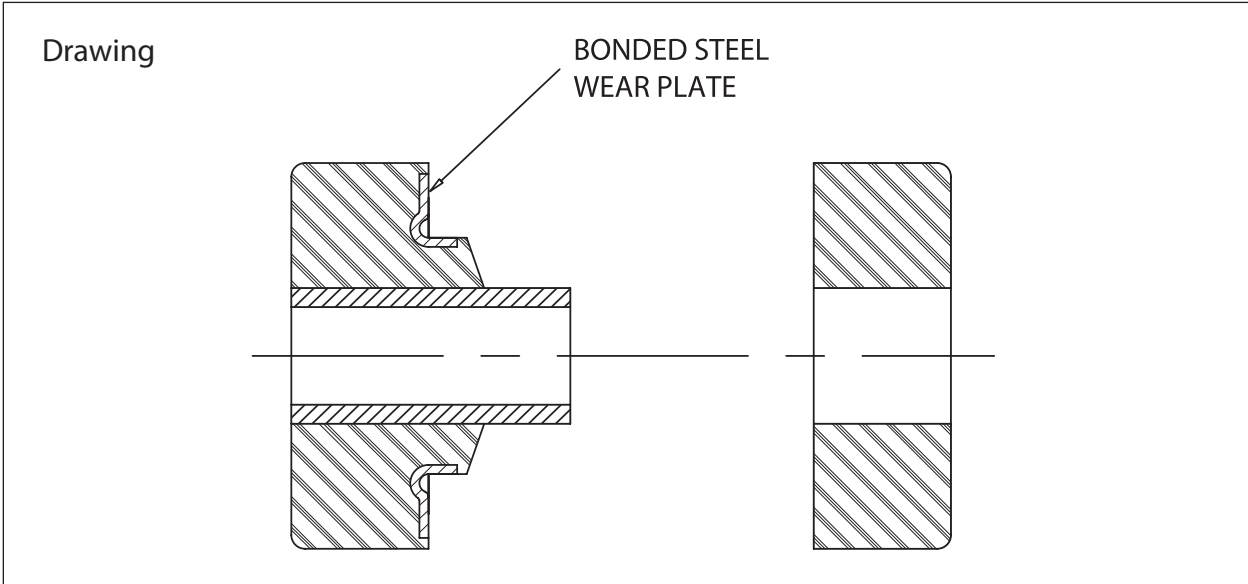


# Size 3 Special with Wear Plate (215 to 1330 lbs)

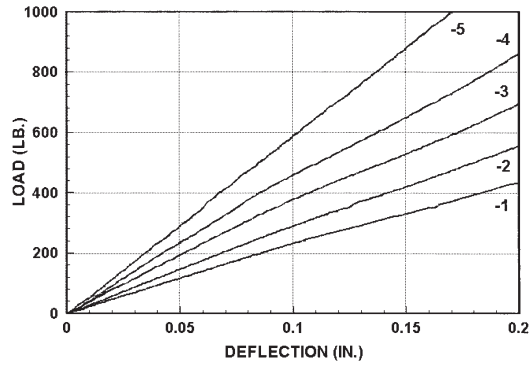


## Load Ratings

Part Number	Color Code	Axial Load Rating (lbs)	Radial Load Rating (lbs)
60272-1	Yellow	215	40
60272-2	Red	360	60
60272-3	Green	490	88
60272-4	Blue	860	133
60272-5	White	1330	185

# Stiffness Curves

## 60272 SERIES AXIAL LOAD VS DEFLECTION



## 60272 SERIES RADIAL LOAD VS DEFLECTION

