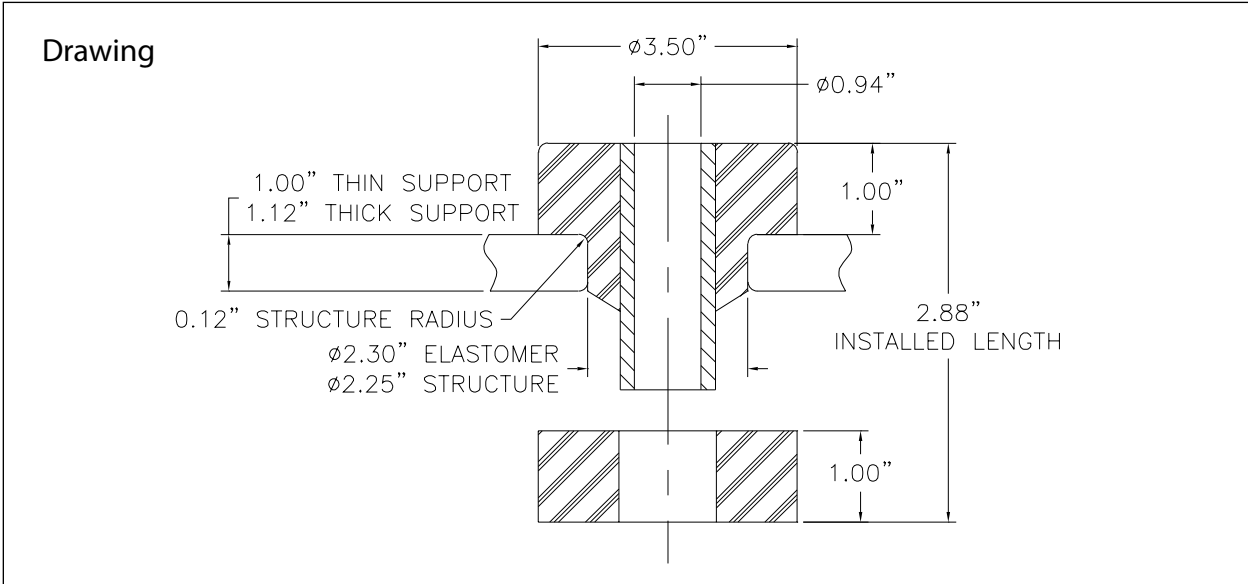
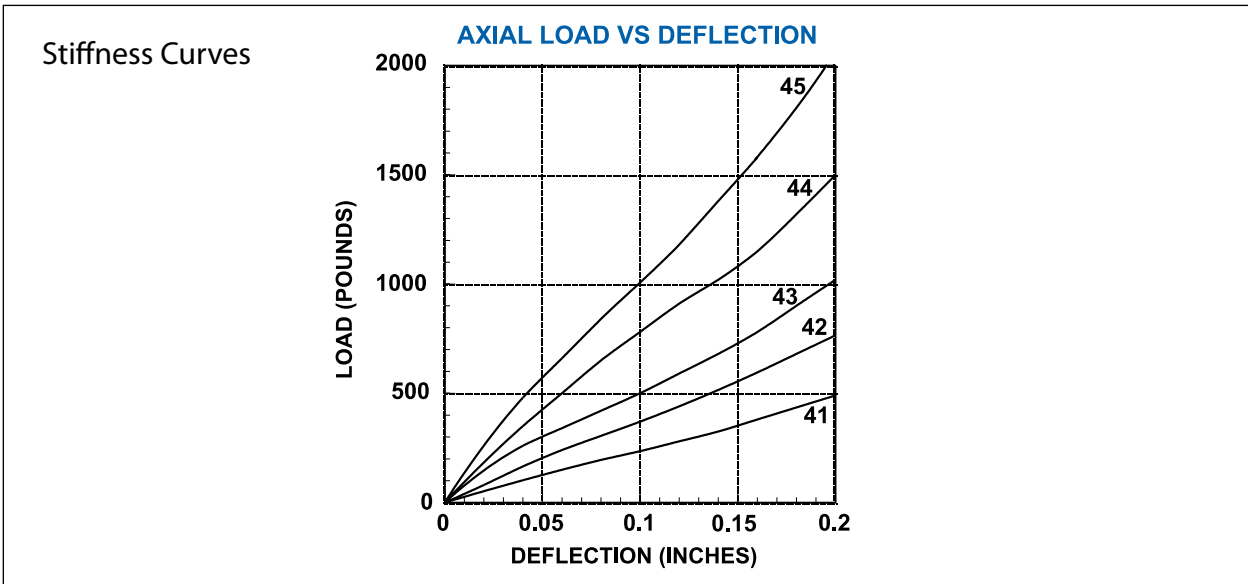


Size 4 (160 to 2070 lbs)



Load Ratings

Part Number	Color Code	Axial Load Rating (lbs) – Thin Support	Radial Load Rating (lbs) – Thin Support	Axial Load Rating (lbs) – Thick Support	Radial Load Rating (lbs) – Thick Support
60041	Yellow	160	100	270	130
60042	Red	300	200	500	210
60043	Green	410	310	760	330
60044	Blue	520	420	1150	550
60045	White	610	570	2070	955



Stiffness Curves

RADIAL LOAD VS DEFLECTION

