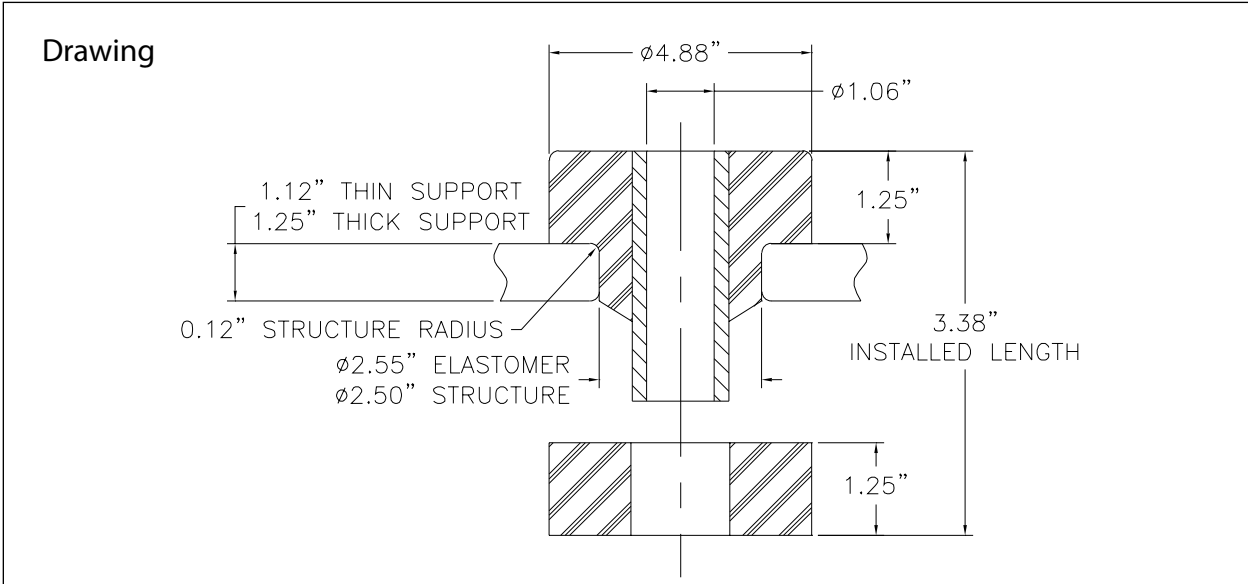
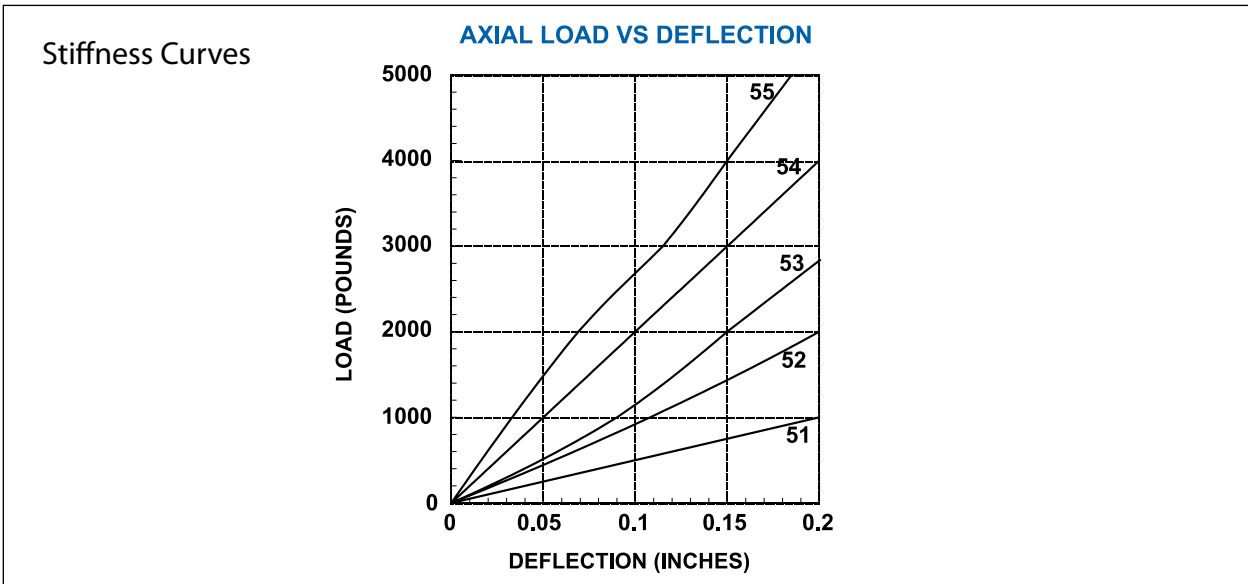


Size 5 (300 to 4550 lbs)



Load Ratings

Part Number	Color Code	Axial Load Rating (lbs) – Thin Support	Radial Load Rating (lbs) – Thin Support	Axial Load Rating (lbs) – Thick Support	Radial Load Rating (lbs) – Thick Support
60051	Yellow	300	150	1150	250
60052	Red	500	220	1925	350
60053	Green	700	300	2575	600
60054	Blue	900	470	3550	900
60055	White	1200	660	4550	1400



Stiffness Curves

