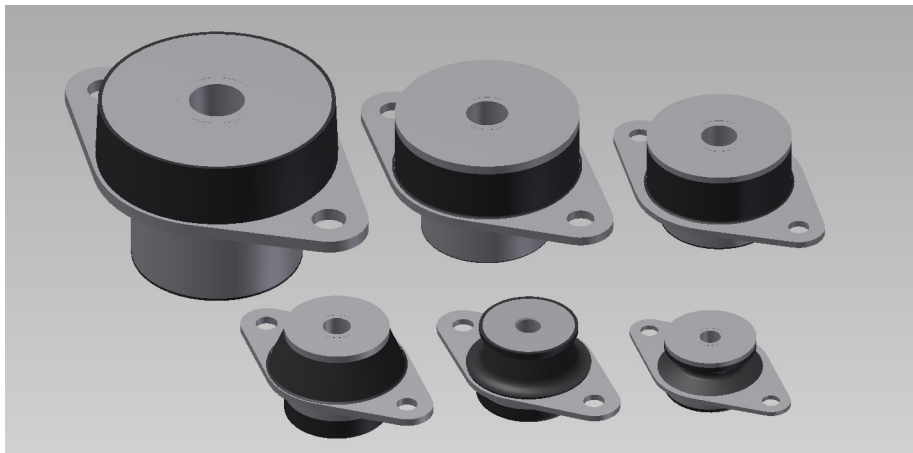


515 Series Mounts



Compact 515 Series all-attitude mounts are a money-saving way to protect equipment from vibration and shock. High load capacity, stability, and the ability to be installed at any mounting angle make them ideal for a wide variety of applications, including vehicle cabs; truck, bus and marine engines; generators; air conditioning units; motors and electronic equipment.

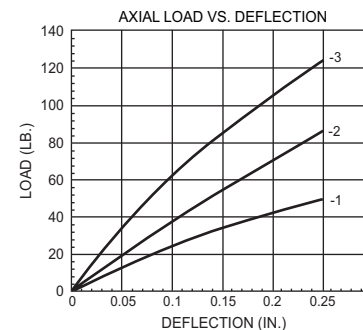
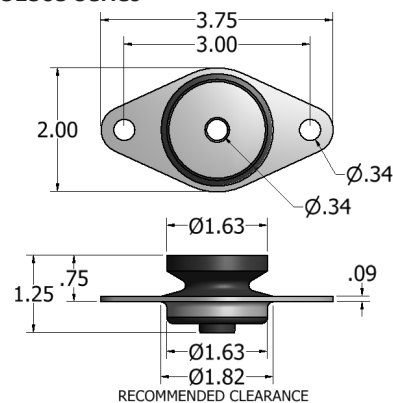
Features

- All-Attitude design allows for mounting at any angle
- Fail-Safe Installation when proper snubbing washers (Page 75) are used
- 1:1 Axial to Radial Stiffness Ratio
- 8.5 Hz Natural Frequency at maximum load
- Oil, fuel, and solvent resistant Neoprene
- Temperature Range: -20° to $+180^{\circ}\text{F}$

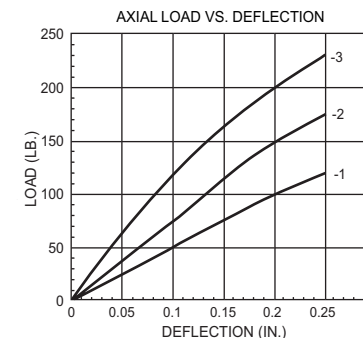
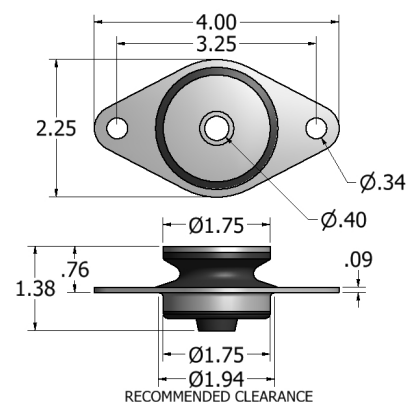
Part No.	Color Code	Max. Axial Load (lbs.)	Max Radial Load (lbs.)
51505-1	Yellow	38	N/A
51505-2	Red	60	N/A
51505-3	Green	90	N/A
51506-1	Yellow	75	N/A
51506-2	Red	105	N/A
51506-3	Green	150	N/A
51507-1	Red	150	100
51507-2	Green	200	150
51507-3	Blue	270	180
51507-4	White	330	220
51508-1	Yellow	270	180
51508-2	Red	330	220
51508-3	Green	390	260
51508-4	Blue	480	320
51508-5	White	570	380
51510-1	Yellow	480	320
51510-2	Red	570	380
51510-3	Green	690	460
51510-4	Blue	840	560
51510-5	White	1020	680
51512-1	Yellow	690	460
51512-2	Red	840	560
51512-3	Green	1020	680
51512-4	Blue	1245	830
51512-5	White	1500	1000
51516-1	Red	1350	800
51516-2	Green	1600	1000
51516-3	Blue	1900	1400
51516-4	White	2600	1800

515 Series Mounts

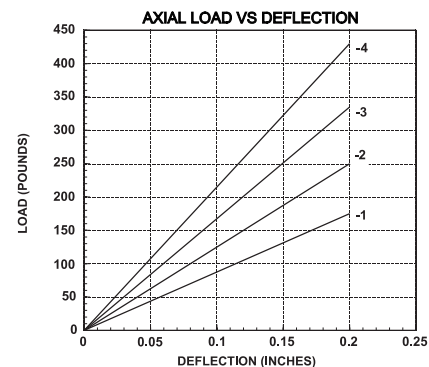
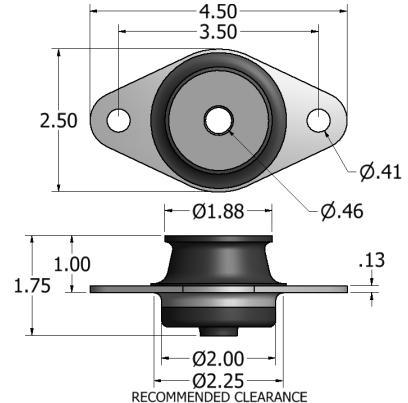
51505 Series



51506 Series

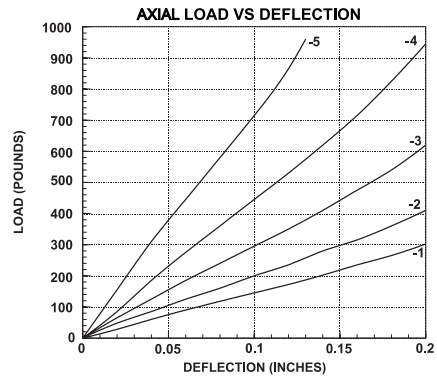
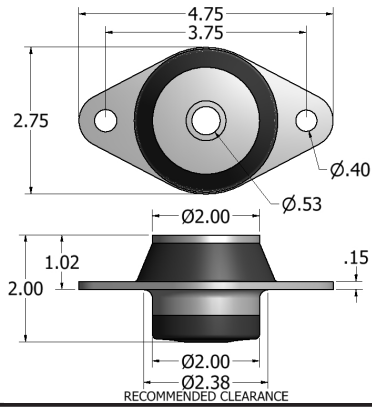


51507 Series

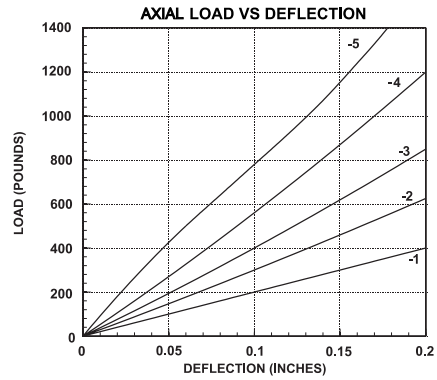
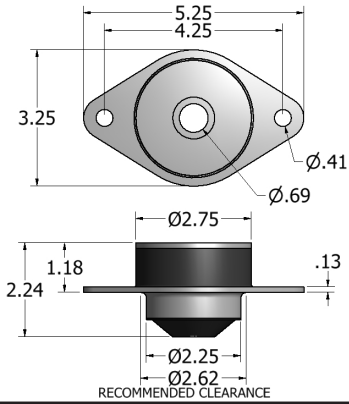


515 Series Mounts

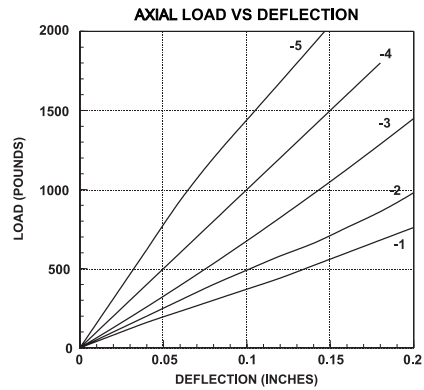
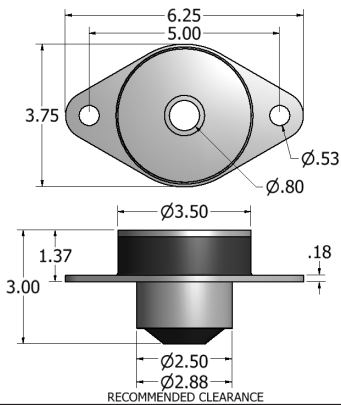
51508 Series



51510 Series

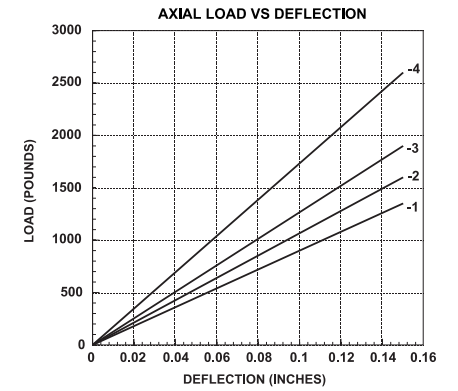
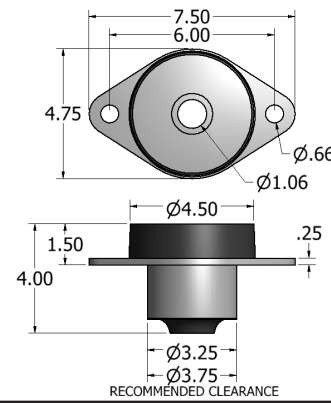


51512 Series



515 Series Mounts

51516 Series



Typical Installation

