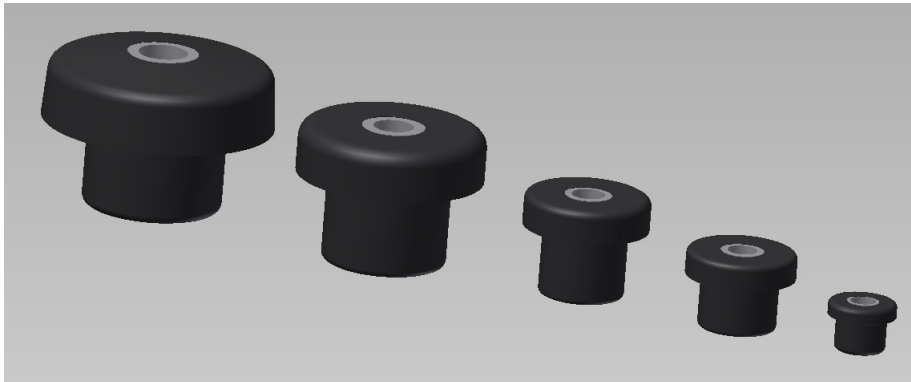


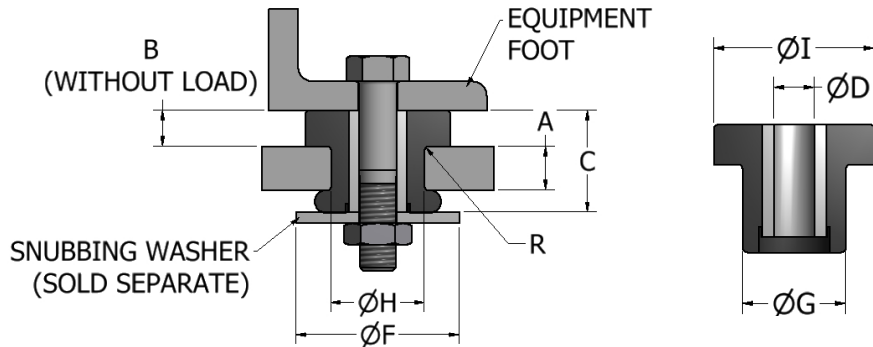
Center Bushing Mounts



Tech Products' Center Bushing Mounts are fail-safe, multi-direction isolators for a variety of heavy duty applications. During Installation, a self-contained rebound is formed when the mounts resilient element spreads under compression. An internal sleeve serves as a positive spacer to control pre-loading.

Features

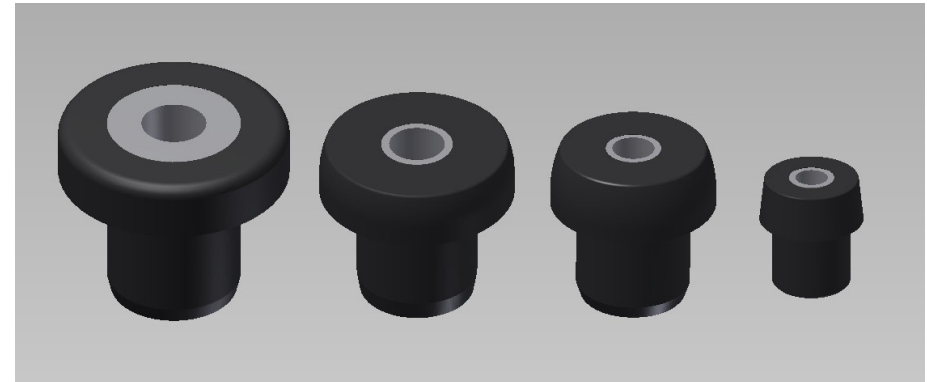
- Single piece design for easy installation
- Fail-Safe Installation when proper snubbing washers (Page 75) are used
- Oil, Fuel, and Solvent resistant neoprene elastomer
- -20°F to 180°F operating temperature range



Standard Series

Part No.	A	B	C	D	F(min.)	G	H	I	R(min.)
60220 thru 23	0.31	0.23	0.69	0.40	1.10	0.81	0.75	1.09	0.06
60230 thru 33	0.38	0.41	1.00	0.47	1.50	1.24	1.12	1.75	0.06
60235 thru 38	0.62	0.53	1.38	0.53	1.70	1.35	1.25	2.00	0.06
60240 thru 43	0.62	0.53	1.38	0.64	1.70	1.35	1.25	2.00	0.06
60245 thru 48	0.75	0.62	1.75	0.64	2.20	1.61	1.50	2.50	0.06
60250 thru 53	0.93	0.80	2.00	0.64	2.50	1.96	1.81	2.97	0.12
60260 thru 63	0.75	1.13	2.12	0.77	2.70	2.20	2.00	3.68	0.12

Center Bushing Mounts



This series of Center Bushing Mounts is designed with more rubber underneath the mounting structure for more rebound protection. They also offer higher deflection than the standard series for better isolation of lower frequency vibration.

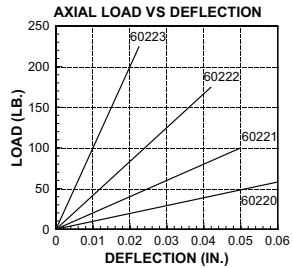
Large Rebound Series

Part No.	A	B	C	D	F(min.)	G	H	I	R(min.)
T3027	0.38	0.55	1.07	0.40	1.50	0.95	0.89	1.25	0.06
T5137	0.50	0.75	1.45	0.51	2.13	1.38	1.25	2.00	0.06
T6038	0.62	0.67	1.54	0.67	2.50	1.46	1.38	2.35	0.06
63006	0.75	0.69	1.63	0.79	3.00	1.62	1.50	2.80	0.06

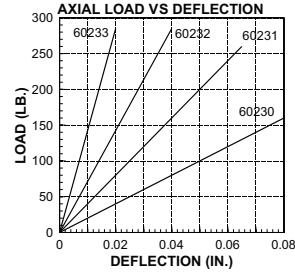
Load ratings and Stiffness Curves for Center Bushing Mounts are on the next two pages.

Center Bushing Mounts

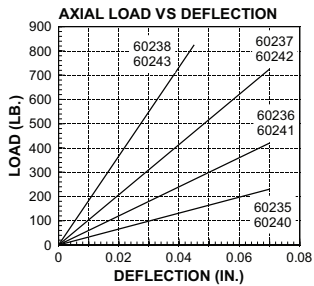
Part No.	Color Code	Max. Load (lbs.)
60220	Red	30
60221	Green	50
60222	Blue	80
60223	White	140



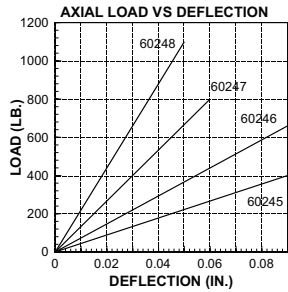
Part No.	Color Code	Max. Load (lbs.)
60230	Red	130
60231	Green	190
60232	Blue	300
60233	White	520



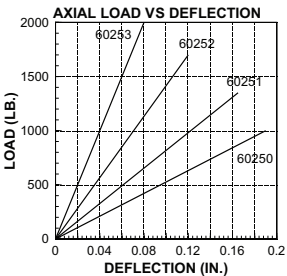
Part No.	Color Code	Max. Load (lbs.)
60235/60240	Red	230
60236/60241	Green	360
60237/60242	Blue	520
60238/60243	White	720



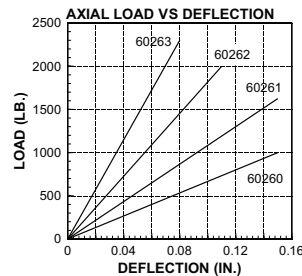
Part No.	Color Code	Max. Load (lbs.)
60245	Red	400
60246	Green	540
60247	Blue	750
60248	White	1100



Part No.	Color Code	Max. Load (lbs.)
60250	Red	600
60251	Green	800
60252	Blue	1100
60253	White	1500

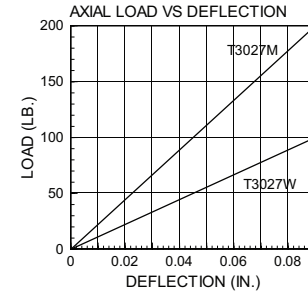


Part No.	Color Code	Max. Load (lbs.)
60260	Red	950
60261	Green	1300
60262	Blue	1850
60263	White	2400

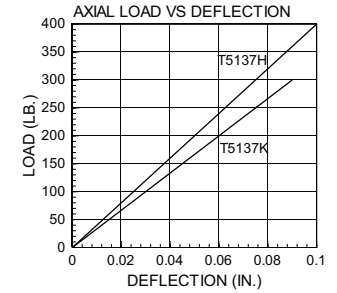


Center Bushing Mounts

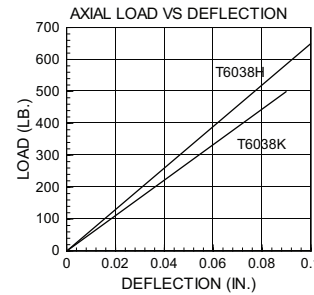
Part No.	Color Code	Max. Load (lbs.)
T3027W	Blue	100
T3027M	None	200



Part No.	Color Code	Max. Load (lbs.)
T5137K	None	300
T5137H	White	400



Part No.	Color Code	Max. Load (lbs.)
T6038K	None	500
T6038H	Orange	650



Part No.	Color Code	Max. Load (lbs.)
63006-1	Orange	800
63006-2	Yellow	1050

