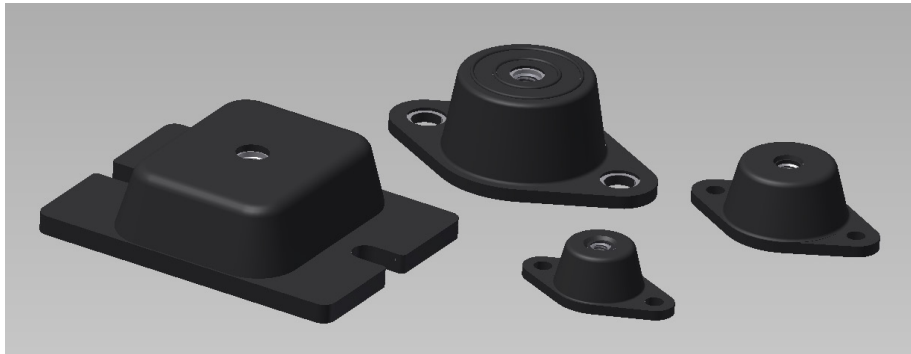


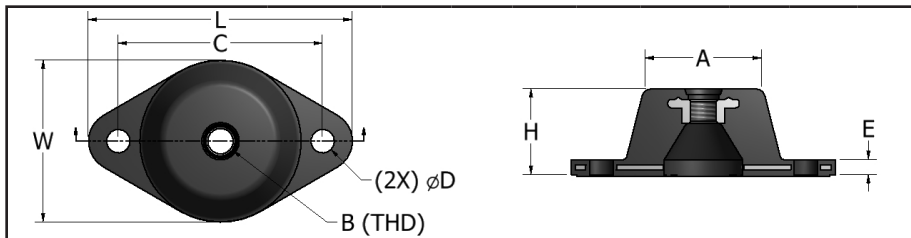
# Compression Mounts



## Standard Deflection

- Natural Frequencies as low as 6 Hz at maximum loads
- Constructed of Neoprene and steel
- Metric threads available

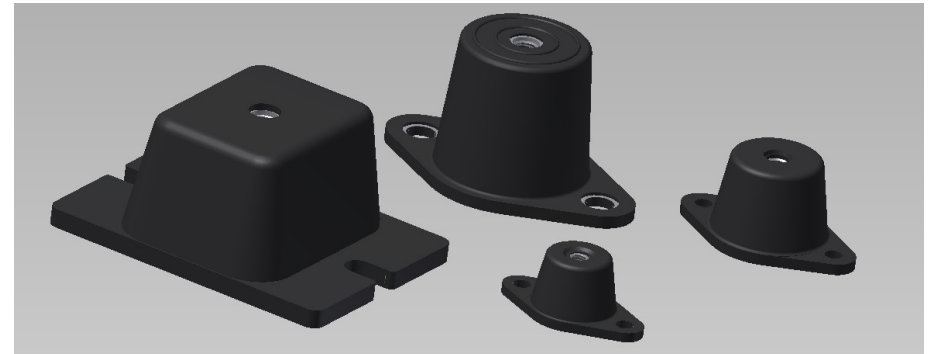
Part Numbers 52501 thru 52544 are also available in Silicone for an operating temperature range of -80° to 300°F. Add -S to part number for silicone.



Part No.	Color Code	Max. Load (lbs)	Max. Deflection (in)	L (in)	W (in)	H (in)	A (in)	B	C (in)	D (in)	E (in)
52501	Blue	35	0.20"	3 <sup>3</sup> / <sub>8</sub>	1 <sup>3</sup> / <sub>4</sub>	1	1 <sup>1</sup> / <sub>4</sub>	5/16-18	2 <sup>3</sup> / <sub>8</sub>	1 <sup>1</sup> / <sub>32</sub>	3/16
52502	Black	45									
52503	Red	70									
52504	Green	120									
52521	Blue	135	0.25	3 <sup>3</sup> / <sub>8</sub>	2 <sup>3</sup> / <sub>8</sub>	1 <sup>1</sup> / <sub>4</sub>	1 <sup>3</sup> / <sub>4</sub>	3/8-16	3	1 <sup>1</sup> / <sub>32</sub>	7/32
52522	Black	170									
52523	Red	240									
52524	Green	380									
52525	Gray	550									
52541	Black	250	0.25	5 <sup>1</sup> / <sub>2</sub>	3 <sup>3</sup> / <sub>8</sub>	1 <sup>3</sup> / <sub>4</sub>	2 <sup>1</sup> / <sub>2</sub>	1/2-13	4 <sup>1</sup> / <sub>8</sub>	9/16	1/4
52542	Red	525									
52543	Green	750									
52544	Gray	1100									
52561-2	Black	1500	0.25	6 <sup>1</sup> / <sub>4</sub>	4 <sup>3</sup> / <sub>8</sub>	1 <sup>5</sup> / <sub>8</sub>	3 <sup>3</sup> / <sub>4</sub>	1/2-13	5	9/16	3/8
52562-2	Red	2250									
52563-2	Green	3000									
52564-2	Gray	4000									

Note: 52561-2 through 52564-2 have a rectangular base

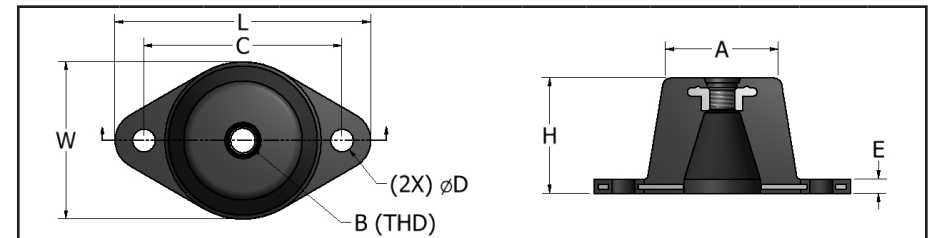
# Compression Mounts



## Double Deflection

- Natural Frequencies as low as 4.5 Hz at maximum loads
- Constructed of Neoprene and steel
- Metric threads available

Part Numbers 52511 thru 52554 are also available in Silicone for an operating temperature range of -80° to 300°F. Add -S to part number for silicone.



Part No.	Color Code	Max. Load (lbs)	Max. Deflection (in)	L (in)	W (in)	H (in)	A (in)	B	C (in)	D (in)	E (in)
52511	Blue	35	0.40"	3 <sup>3</sup> / <sub>8</sub>	1 <sup>3</sup> / <sub>4</sub>	1 <sup>1</sup> / <sub>4</sub>	1 <sup>1</sup> / <sub>4</sub>	5/16-18	2 <sup>3</sup> / <sub>8</sub>	1 <sup>1</sup> / <sub>32</sub>	3/16
52512	Black	45									
52513	Red	70									
52514	Green	120									
52531	Blue	135	0.50	3 <sup>3</sup> / <sub>8</sub>	2 <sup>3</sup> / <sub>8</sub>	1 <sup>3</sup> / <sub>4</sub>	1 <sup>3</sup> / <sub>4</sub>	3/8-16	3	1 <sup>1</sup> / <sub>32</sub>	7/32
52532	Black	170									
52533	Red	240									
52534	Green	380									
52535	Gray	550									
52551	Black	250	0.50	5 <sup>1</sup> / <sub>2</sub>	3 <sup>3</sup> / <sub>8</sub>	2 <sup>7</sup> / <sub>8</sub>	2 <sup>1</sup> / <sub>2</sub>	1/2-13	4 <sup>1</sup> / <sub>8</sub>	9/16	1/4
52552	Red	525									
52553	Green	750									
52554	Gray	1100									
52571-2	Black	1500	0.50	6 <sup>1</sup> / <sub>4</sub>	4 <sup>3</sup> / <sub>8</sub>	2 <sup>3</sup> / <sub>4</sub>	3 <sup>3</sup> / <sub>4</sub>	1/2-13	5	9/16	3/8
52572-2	Red	2250									
52573-2	Green	3000									
52574-2	Gray	4000									

Note: 52571-2 through 52574-2 have a rectangular base