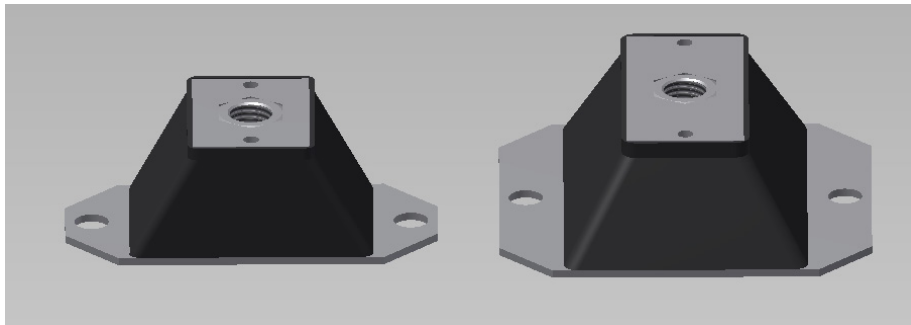
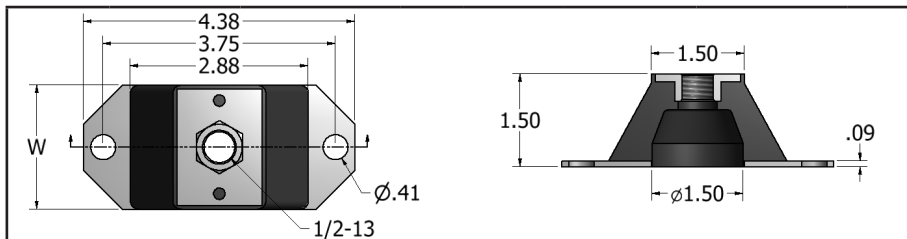
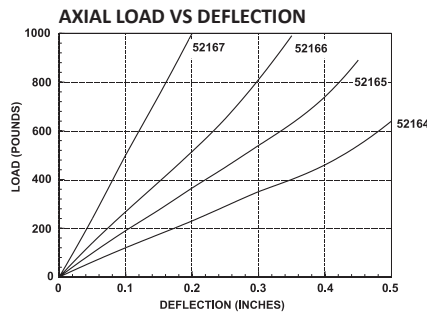
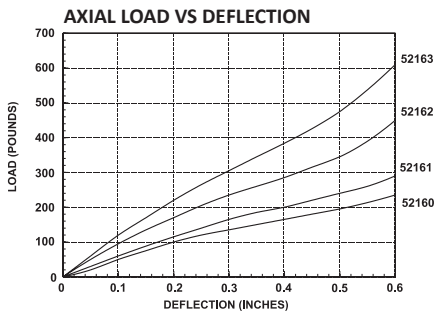


Compression Mounts



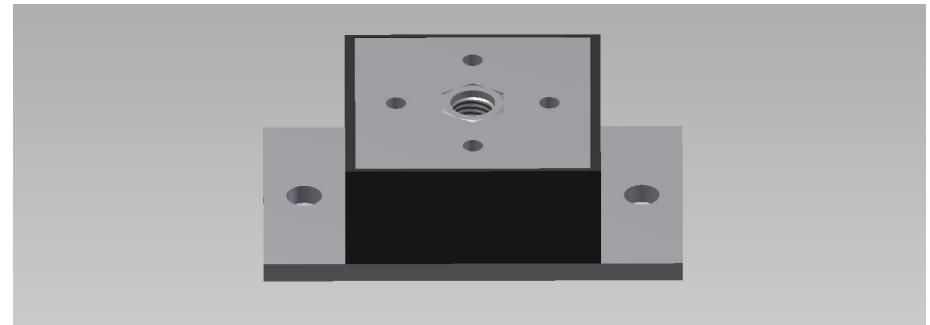
These rugged, high performance mounts are normally used for vertically applied loads to prevent the transmission of noise and vibration caused by the rotation of unbalanced equipment such as centrifuges, blowers, pumps, vibrators and air handling systems.

- Isolation of disturbing frequencies as low as 15 Hz
- Neoprene elastomer resistant to oil, fuel, and ozone
- -20° to +180°F operating temperature range



Part No.	Color Code	Load Range (lbs.)	W (in.)	Part No.	Color Code	Load Range (lbs.)	W (in.)
52160	Yellow	20-60	2	52164	Red	70-200	4
52161	Red	40-100	2	52165	Green	140-280	4
52162	Green	60-150	2	52166	Blue	240-500	4
52163	Blue	80-200	2	52167	White	450-700	4

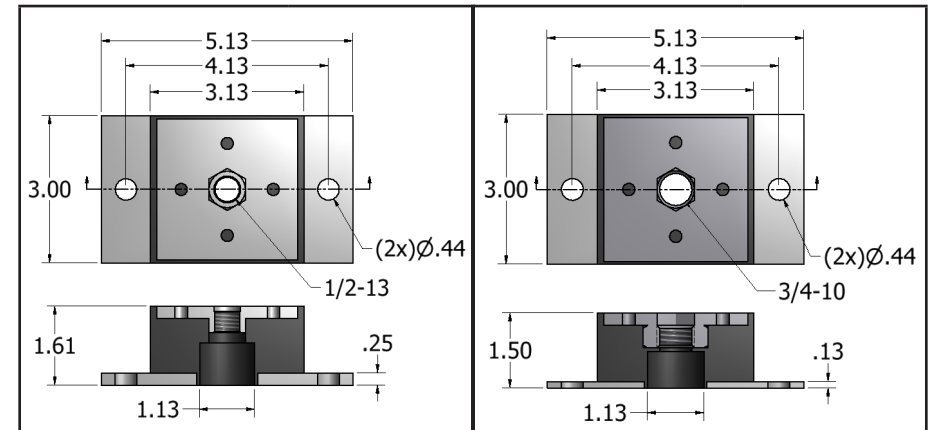
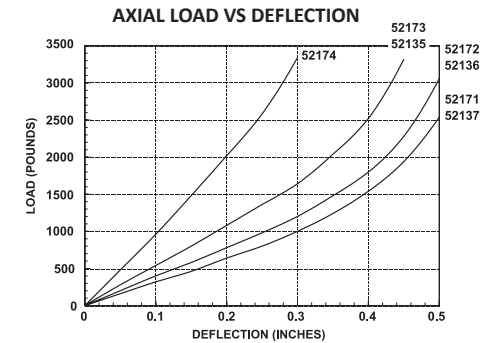
Compression Mounts



Heavy Duty

This compression mount design is for applications under heavy industrial machinery requiring efficient vibration, noise, and shock isolation. Typical applications include pumps, compressors, and generators.

- Low natural frequency of 8-15 Hz
- Can be mounted in pairs for lower natural frequencies (6-10 Hz)
- Constructed of cold-rolled steel and oil resistant neoprene



Part No.	Color Code	Max. Load (lbs.)	Part No.	Color Code	Max. Load (lbs.)
52171	Red	700	52135	White	1500
52172	Green	1000	52136	Green	1000
52173	Blue	1500	52137	Red	700
52174	White	2500			