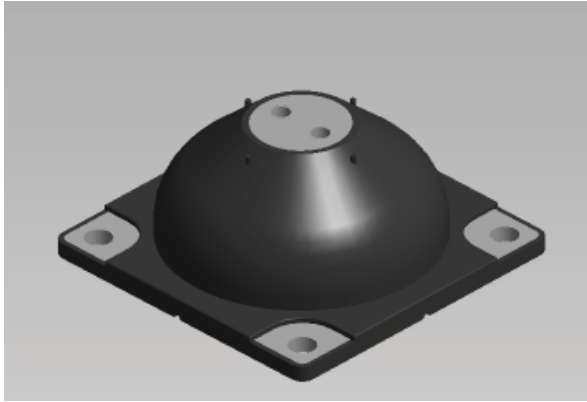


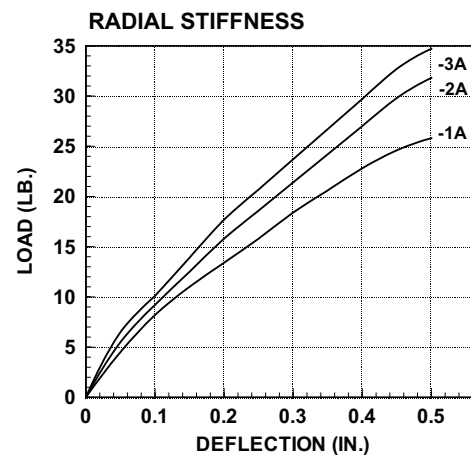
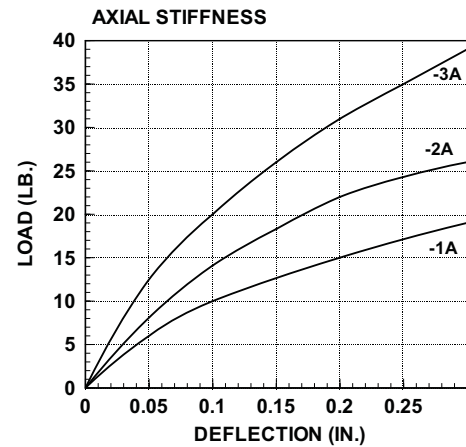
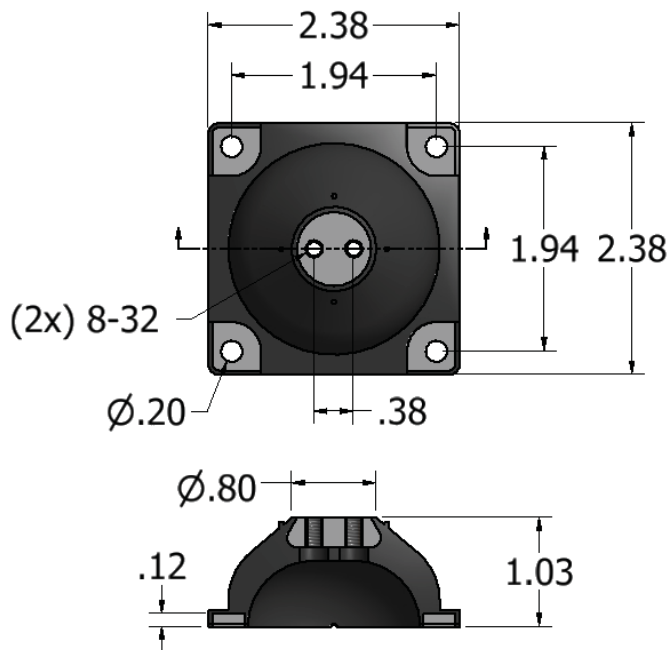
High Deflection Silicone Mounts



Features:

- High Damped Silicone Elastomer
- Lightweight Aluminum metal components
- 1:1 Axial to Radial stiffness ratio
- -80°F to 300°F operating temperature range

The High Deflection Silicone mounts are low profile isolators that have large deflection capability for shock and vibration attenuation. The mounts are designed to support loads ranging from 5 to 15 lbs. Retaining straps are available for fail-safe installation. Typical applications include ruggedized electronics and computer equipment.



Part Number	Load Range (lbs.)
61829-1A	5-7
61829-2A	7-10
61829-3A	10-15