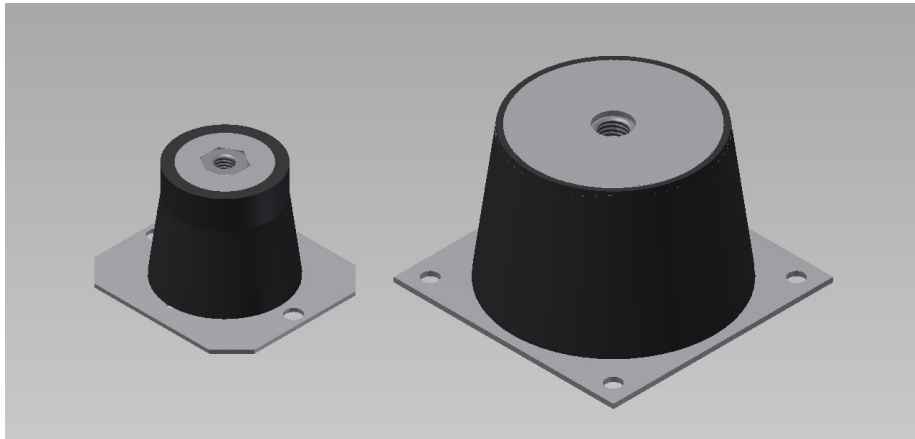


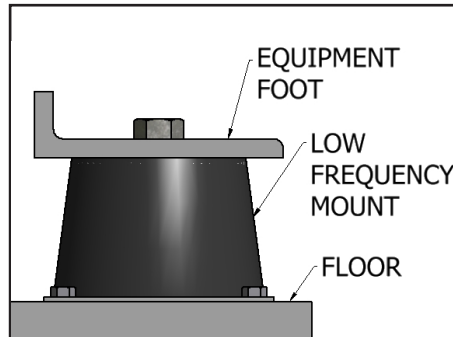
Low Frequency Mounts



Low Frequency Mounts' unique design bonds a steel spring inside a matrix of oil/ ozone-resistant neoprene. The springs absorb low frequency vibrations, slowing and passing them on to the resilient neoprene. This material—made even more stable by the springs—interrupts the sound path, prevents noise amplification caused by sounding board effects, and stops vibrations from being transmitted to the floor or work surface.

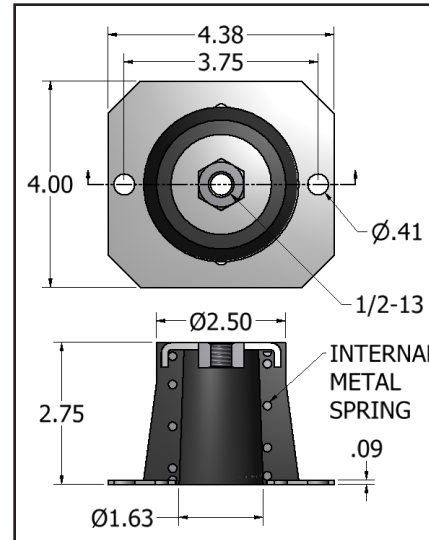
Low Frequency Mounts are made for your toughest vibration applications. They tame the effects of paint mixers, air conditioning units, air compressors and more, indoors and out. There are models for loads from 50 to 4,700 lbs. which exhibit 3.5 Hz natural frequency at maximum load.

Typical Mounting Application

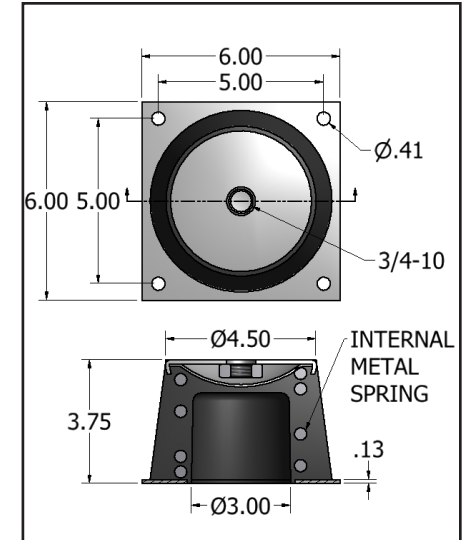
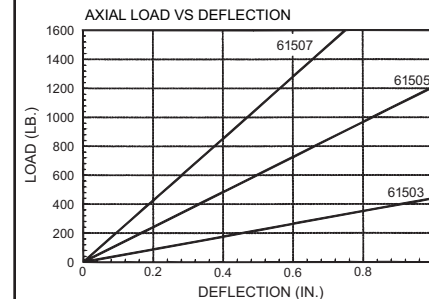


Low Frequency Mounts

Dimensions and Specifications



Part No.	Color Code	Min. Load (lbs)	Approx. Defl.	Max. Load (lbs)	Approx. Defl.
61503	Yellow	50	0.1"	400	0.9"
61505	Green	100	0.1	1100	0.9
61507	White	250	0.1	2600	0.9



Part No.	Color Code	Min. Load (lbs)	Approx. Defl.	Max. Load (lbs)	Approx. Defl.
61060	Yellow	150	0.1"	1800	1"
61062	Green	500	0.15	3100	0.9
61064	White	1200	0.2	4700	0.8

