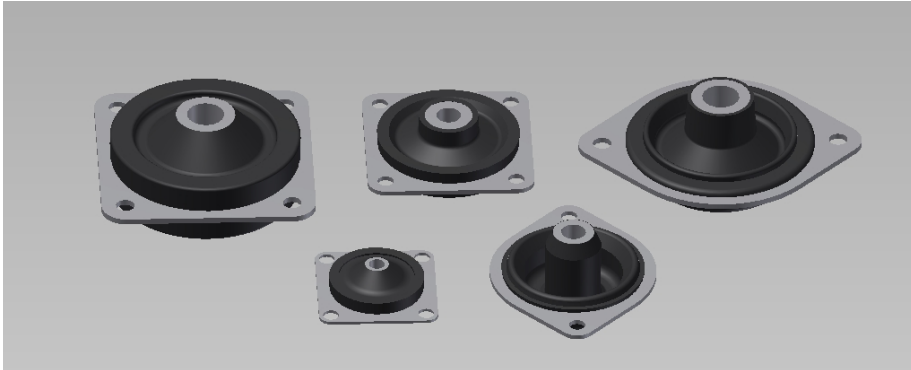


Platemounts

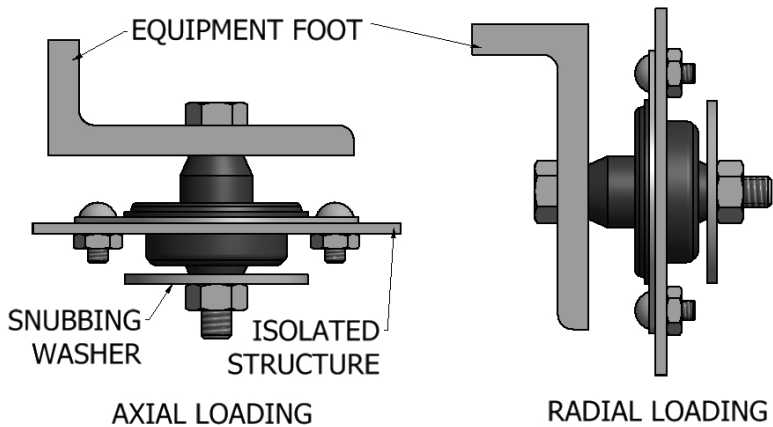


Fail-safe operation of electronic and electro-mechanical equipment, appliances, office machines and transportation equipment are typical applications for Tech Products Plate Mounts.

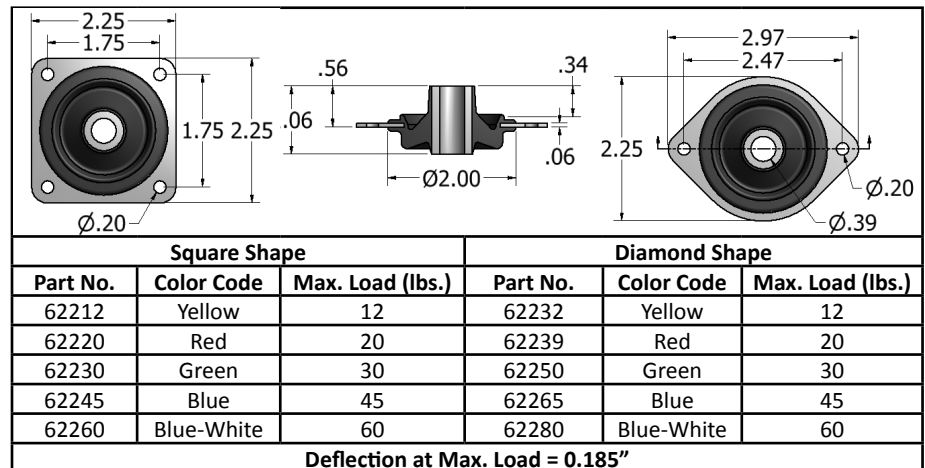
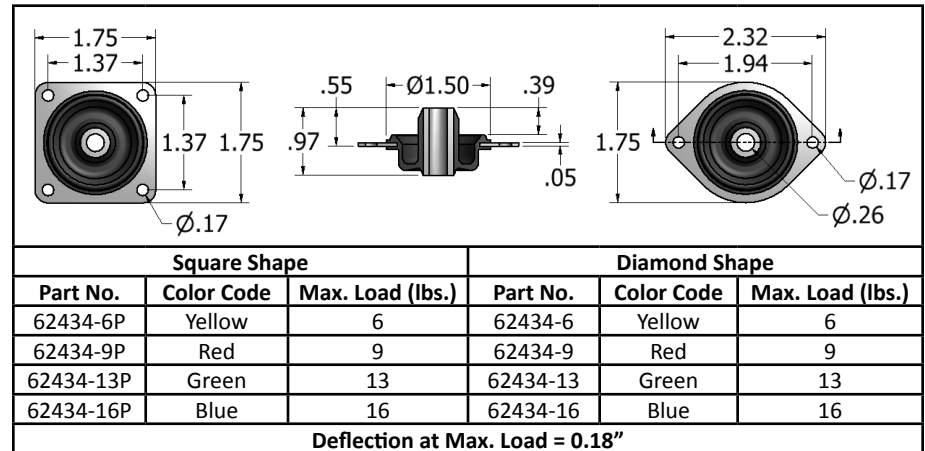
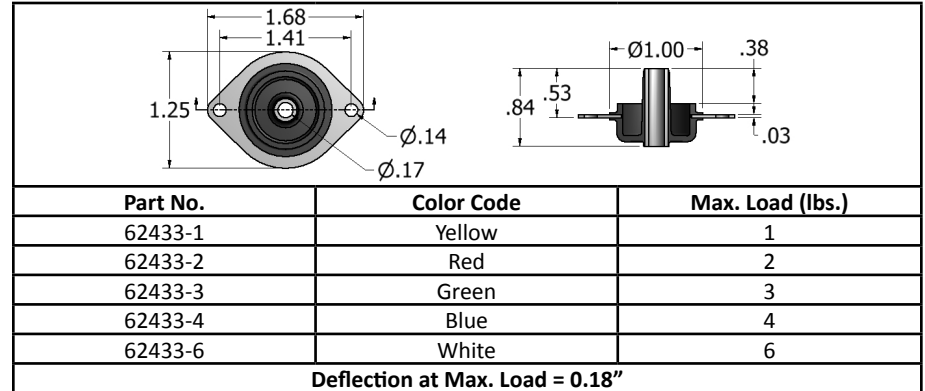
Designed for light to medium loads, they isolate mounted equipment from external vibration and/or isolate vibration produced by the mounted equipment itself.

Plate Mounts feature steel and natural rubber which operate at temperatures of -20° to 180° F.

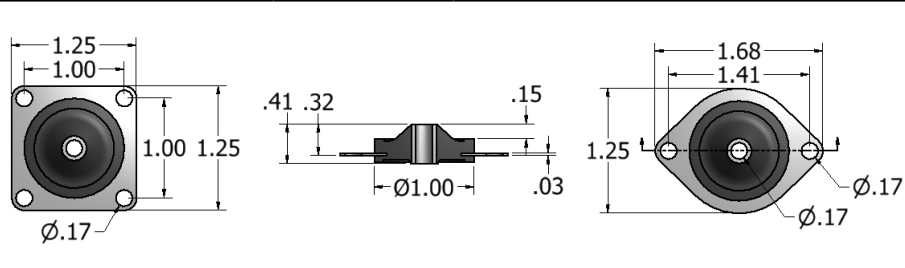
Part numbers are shown for steel plates. Aluminum plates and neoprene elastomer are available options.



Platemounts

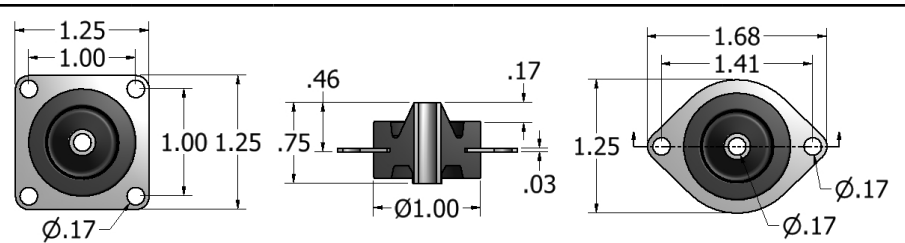


Platemounts



Square Shape			Diamond Shape		
Part No.	Color Code	Max. Load (lbs.)	Part No.	Color Code	Max. Load (lbs.)
62490-A	Yellow	0.5	62491-A	Yellow	0.5
62490-1	Red	1	62491-1	Red	1
62490-2	Green	2	62491-2	Green	2
62490-4	Blue	4	62491-4	Blue	4
62490-6	White	6	62491-6	White	6

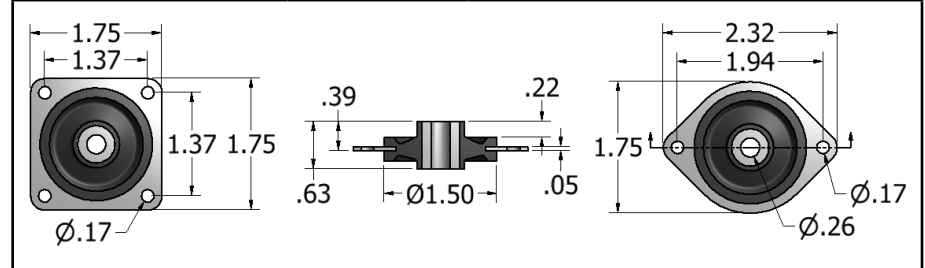
Deflection at Max. Load = 0.06"



Square Shape			Diamond Shape		
Part No.	Color Code	Max. Load (lbs.)	Part No.	Color Code	Max. Load (lbs.)
62004	Yellow	4	62024	Yellow	4
62008	Red	8	62028	Red	8
62012	Green	12	62032	Green	12
62020	Blue	20	62040	Blue	20

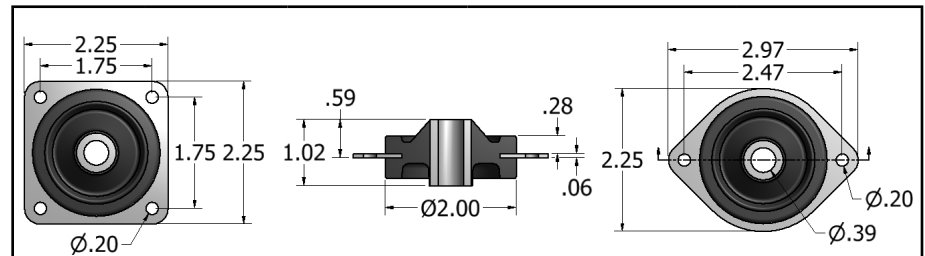
Deflection at Max. Load = 0.06"

Platemounts



Square Shape			Diamond Shape		
Part No.	Color Code	Max. Load (lbs.)	Part No.	Color Code	Max. Load (lbs.)
62103	Yellow	3	62123	Yellow	3
62106	Red	6	62166	Red	6
62109	Red-Green	9	62129	Red-Green	9
62112	Green	12	62132	Green	12
62114	Green-Blue	14	62134	Green-Blue	14
62117	Blue	17	62137	Blue	17
62120	Blue-White	20	62140	Blue-White	20
62126	Blue-Yellow	26	62146	Blue-Yellow	26

Deflection at Max. Load = 0.09"



Square Shape			Diamond Shape		
Part No.	Color Code	Max. Load (lbs.)	Part No.	Color Code	Max. Load (lbs.)
62330	Red	30	62332	Red	30
62340	Red-Green	40	62342	Red-Green	40
62350	Green	50	62352	Green	50
62370	Green-Blue	70	62372	Green-Blue	70
62390	Blue	90	62392	Blue	90

Deflection at Max. Load = 0.13"

Available with 3/8-16 threaded core