

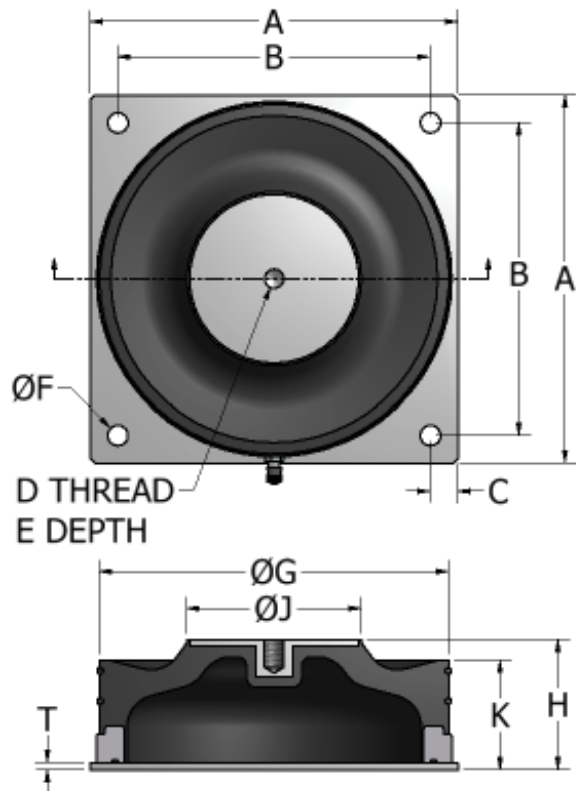
# Pneumatic Spring Mounts



Tech Products Pneumatic series are air spring mounts particularly well suited for situations requiring high deflection and natural frequencies as low as 2.75 Hz. The high stability and reliability of this mount is ideal for use in mounting vibrators, shakers, vacuum pumps, optical comparators, HVAC equipment and equipment subjected to low frequency shock and/or vibration.

## Features:

- Thick walled elastomeric construction
- Dynamic overload capacity of up to ten times maximum rated static load in compression
- Designed for air pressures of 20-85 psi
- Low Natural Frequency



Part No.	Load (lbs.)		A	B	C	D	E	F	G	H*	J	K	T
	Min.	Max.											
52001	20	100	3.00	2.38	0.31	3/8-16	0.47	0.27	2.89	2.50	1.09	1.94	0.12
52002	100	300	4.19	3.50	0.34	1/2-13	0.54	0.29	4.14	2.50	2.06	1.94	0.12
52003	300	550	5.13	4.25	0.44	1/2-13	0.54	0.29	4.99	3.50	2.38	2.94	0.12
52004	500	1200	6.88	6.00	0.44	1/2-13	0.54	0.29	6.74	3.50	3.75	2.94	0.12
52005	1200	2400	10.00	8.50	0.75	5/8-11	0.75	0.56	9.66	3.50	5.44	2.94	0.19
52006	1200	4800	13.50	12.00	0.75	5/8-11	0.75	0.56	13.31	3.50	8.00	2.94	0.19

\* H = Free Height; H+1/4" = nominal loaded height for steady force applications